

BE POWER EQUIPMENT



PRESSURE WASHER **OPERATOR'S** **MANUAL**

BEPOWEREQUIPMENT

.COM

TABLE OF CONTENTS

INTRODUCTION	4
SAFETY OVERVIEW	5
PRESSURE WASHER COOLING SYSTEM	9
FUEL AND OIL TYPES	10
COMPONENT DIAGRAM	11
ASSEMBLY	12
PREOPERATION	14
GAS ENGINE START PROCEDURE	15
GAS ENGINE STOP PROCEDURE	16
HOW TO CONTROL PRESSURE	17
CLEANING WITH DETERGENTS	17
STORAGE	18
MAINTENANCE	19
TROUBLESHOOTING	20
WARRANTY	23

Congratulations on your purchase of a BE Power Equipment pressure washer. You can be confident that this machine is constructed and tested with optimum performance and quality in mind.

Reading this manual will help you get the best results for set-up, operation, maintenance and avoid personal injury or damage to your machine. By knowing how best to operate this machine, you will be better positioned to show others who may also operate the unit.

All the information in this manual is based on the latest product information available at the time of printing. BE Power Equipment reserves the right to make changes at any time without notice or incurring any obligation.

Owner/Operator Responsibility

The owner/operator must have a thorough understanding of the operation, maintenance, and dangers associated with using this machine. It must be understood that it is ultimately up to the owner/operator to safely use this machine as outlined in this manual.

This manual is considered a part of the machine and needs to be kept in a safe location. If the machine is resold or given to someone else, this manual needs to be included.

Product Registration

Please register your product online to get the maximum benefit from your warranty. Use the QR code below or register online at: bepowerequipment.com/product-registration



It is recommended that you record the product identification numbers in this manual. These numbers are important to have on hand if you need to contact technical support (**1-866-850-6662**). The model and serial number can be found on the box and on a white decal on the machine.

PRODUCT IDENTIFICATION

Model Number: _____

Serial Number: _____

Date of Purchase: _____

Dealer Name: _____

SAFETY OVERVIEW

SAVE THESE INSTRUCTIONS - SAFETY RULES



This is the safety alert symbol. It is used to alert you to potential personal injury hazards. Obey all safety messages that follow this symbol to avoid possible injury or death.

The safety alert symbol (▲) is used with a signal word (**DANGER, CAUTION, WARNING**), and a safety message to alert you to hazards.

DANGER indicates a hazard that, if not avoided, will result in death or serious injury.

WARNING indicates a hazard that, if not avoided, could result in death or serious injury.

CAUTION indicates a hazard that, if not avoided, might result in minor or moderate injury.

NOTICE indicates a situation that could result in equipment or property damage.

IMPORTANT SAFETY INSTRUCTIONS - SAVE THESE INSTRUCTIONS

WARNING – When using this product, the following precautions should always be observed and adhered to.

1. Read all instructions before using the product.
2. To reduce the risk of injury, close supervision is necessary when a product is used near children.
3. Know how to stop the product and bleed pressures quickly. Be thoroughly familiar with the controls.
4. Stay alert. Watch what you are doing.
5. Do not operate the product when fatigued or under the influence of alcohol or drugs.
6. Keep the operating area clear of other people.
7. Do not overreach or stand on unstable support. Instead, keep solid footing and balance at all times.
8. Follow the maintenance instructions specified in the manual.

IMPORTANT WARNINGS

Failure to observe warnings will void the warranty or cause injury.

1. Do not let the pressure washer overheat. Excess heat will cause serious damage (see page 9 for details).
2. Never run the unit without water. Running the pump dry will cause it to fail quickly.
3. Do not let the unit freeze. Frozen water in the pump will cause severe damage.
4. Always wear eye protection when operating the unit.
5. High-pressure spray can cause serious bodily injury or damage to soft material. Use with caution.
6. Never adjust the unloader to exceed the preset pressure. Premature wear, equipment failure, or injury may occur.

PERSONAL SAFETY

⚠ WARNING - Always wear correct personal protection equipment because the high-pressure spray can launch debris at high velocity, creating a risk of injury or damage.

- **ALWAYS** wear safety (splash) goggles for eye protection. Other protective equipment such as hearing protection, steel toe boots, safety apparel, work gloves, and face shield are all recommended.
- **NEVER** pressure wash without closed-toe foot protection in case of accidental spray.
- **ALWAYS** be aware of where the spray gun is pointing and your environment.
- **NEVER** point the spray at people or animals.
- **DO NOT** let children or unqualified people operate this machine.
- **DO NOT** use the machine when fatigued or under the influence of alcohol or drugs.

GENERAL PRESSURE WASHER SAFETY**⚠ DANGER – HIGH-PRESSURE SPRAY**

- **NEVER** point the gun at yourself, anyone else, or animals.
- The high-pressure water stream can cut through clothing, skin and underlying tissues leading to serious injury.
- If this type of injury occurs, **DO NOT TREAT AS A SIMPLE CUT. SEEK EMERGENCY MEDICAL ATTENTION IMMEDIATELY.** If you are using cleaning detergents, be prepared to tell the physician exactly what kind.
- Spray guns can have significant kickback. **ALWAYS** brace yourself and have firm footing when operating.
- **NEVER** attempt to repair the high-pressure hose, fittings or gun. Always replace parts if they are leaking or damaged.
- **NEVER** bypass the trigger assembly. This is an important safety feature of the system.
- **NEVER** leave a running machine unattended.
- Use **CAUTION** even when the machine has been turned off. Pressure can be trapped in the pump and hose assembly and still inflict injury or damage. After turning the machine off, always squeeze the trigger to release any trapped pressure.
- **ALWAYS** ensure all component connections and fittings are securely fastened. High-pressure water can turn loose fittings or spray nozzles into projectiles causing injury or damage.
- **NEVER** look directly into the gun or high-pressure hose.
- **NEVER** place your hand in front of the spray nozzle to test pressure.

⚠ DANGER – ELECTROCUTION

- **NEVER** spray near electric power source or cords.
- **NEVER** let run-off water pool and flow into power sources or cords.

⚠ WARNING – GENERAL SAFETY

- **ONLY** use cold water to feed into the machine. Unless specifically instructed that the machine can use hot water.
- Check the work area to make sure it is clear of hazards and debris which can be thrown by pressure spray causing injuries or damage.
- **ALWAYS** be aware of surfaces that will become wet and may become slippery.
- **ALWAYS** have a secure grip of the gun and stable footing.

SAFETY OVERVIEW

- **ALWAYS** ensure proper drainage to avoid water flooding into unwanted areas.
- **NEVER** operate machinery that is damaged or missing components.
- **NEVER** modify the machine in any way.
- **DO NOT** move the machine by pulling on the hoses or cords. Instead, use the handle on the frame to move the machine when needed.
- Use **CAUTION** when spraying soft materials such as plants or wood because the high-pressure spray can quickly damage them.
- Use **CAUTION** when spraying brittle materials such as glass, that may break apart, creating dangerous projectiles.
- Use only recommended accessories. **DO NOT** force or modify parts to fit.
- **ALWAYS** turn off the engine and disconnect the spark plug for any maintenance procedures.
- **NEVER** attempt to maintain the machine while it is operating. Moving parts and pressure can cause serious injuries.
- Keep machine out of the rain and elements.
- **ALWAYS** operate the machine on a level surface. It may seize if operated at an angle.

⚠ WARNING – CHEMICAL DETERGENTS/SOAPS

- **ALWAYS** use detergents explicitly designed for a pressure washer.
- **NEVER** use any flammable, corrosive or acidic solutions.
- **NEVER** modify the chemical injector system.
- **ALWAYS** flush the system after using detergent. Run the machine for at least two minutes with clean water to prevent the detergent from drying and building up residue. If residue builds up, it may cause the chemical injector system to fail.
- **ALWAYS BE PREPARED** for an emergency involving detergents. Know exactly what the detergent contains. If an emergency occurs and a physician needs this information, Safety Data Sheets (**SDS**) are available and should be easily accessible.
- **ALWAYS** keep detergents away from children and animals.
- Keep an eyewash kit available in case of emergency.

GAS ENGINE SAFETY

If your pressure washer has a gas engine, the engine will have its own manual. Thoroughly review and understand the engine manual.

⚠ DANGER – TOXIC FUMES

- **ALWAYS** operate the machine outdoors in well-ventilated spaces.
- The emissions from the engine include the poisonous gas carbon monoxide. It is a colorless, odorless gas that will displace oxygen and be lethal in high enough concentrations.
- Symptoms of carbon monoxide poisoning include headache, fatigue, dizziness, nausea, confusion, vomiting, and seizures. If poisoning continues, unconsciousness and death will occur.
- At the first sign of any symptoms, **IMMEDIATELY** shut off the machine and move into a well-ventilated area and seek medical attention.
- Carbon monoxide is heavier than atmospheric air and will fill in low spaces first. Use **EXTREME CAUTION** when operating in low spaces such as trenches, tunnels or ditches.
- **NEVER** position the machine where the exhaust can go through windows, doors, ventilation or other access points that lead indoors or to confined areas.
- **NEVER** use a respirator as protection against carbon monoxide. The **ONLY** protection that can be relied on is a positive pressure fresh air supply system, such as a SCUBA system.

⚠ DANGER – FUEL RELATED FIRE AND EXPLOSIONS

- Fuel and its vapours are highly flammable and explosive.
- Fire and explosion can cause severe burns and death.
- **NEVER** fill the fuel tank while the unit is running.
- **ALWAYS** turn the engine off and let it cool for at least two minutes before removing the fuel cap. Loosen the fuel cap slowly to relieve tank pressure.
- **ALWAYS** fill or drain the fuel tank outdoors.
- **DO NOT** overfill the tank. Leave an airspace in the neck of the fuel tank to allow it to breathe and for fuel expansion.
- **NEVER** have any spark or flame near the fuel, including cigarettes, open flames, pilot lights, and other ignition sources.
- If fuel spills, wait until it evaporates completely. Move the unit to a new location, then wait at least two minutes before starting the engine.
- **NEVER** crank the engine with the spark plug removed and still in its boot.
- When transporting or putting the unit into storage, drain the fuel tank and carburetor and store the fuel in an airtight container. Then, move the fuel valve into the closed position.
- Never store fuel near any ignition source or hot surface.

⚠ CAUTION – HOT SURFACES

- The muffler on the engine will heat up rapidly and can cause severe burns if touched.
- Muffler exhaust will be hot and can cause burns to people and objects.
- Keep flammables away from the muffler.
- Keep at least a five-foot clearance from the exhaust to prevent damaging other surfaces such as house siding and vehicles.
- The pump will also become hot during operation and should be avoided.
- After the pressure washer has been started, **DO NOT** touch any part of the pressure washer other than the on/off switch, handle, hose, and gun.

⚠ CAUTION – RECOIL KICKBACK

- Starter cord kickback (rapid retraction) can result in bodily injury.
- Kickback can pull your hand and arm back towards the engine faster than you can let go causing sprains, cuts, bruising and bone fractures.
- **NEVER** pull the starter cord without first relieving the spray gun pressure.
- When starting an engine, the best practice is to have the trigger squeezed to prevent pressure from building up in the system.
- Pull the starter cord until you feel resistance. Allow the cord to retract and then pull the starter to avoid kickback and injury.

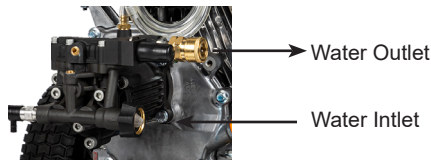
DO NOT OVERHEAT YOUR MACHINE

Do not let your machine overheat. Failure to do so will result in damage, void the warranty, or cause injury.

Gas engines are air-cooled. Always ensure that the machine is operated in a well-ventilated area where it can draw in a steady supply of fresh air. If the engine overheats, it may shut down, rapidly burn oil, and result in component failure. The arrows below show the air intake on the engine through the recoil and air filter.

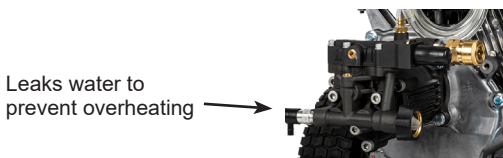


Pumps are cooled on the front end by having fresh water run into the pump, then spray out of the gun wand. To maintain the water flow, keep the trigger of the gun depressed to keep spraying out water. Do not let the machine run for more than 30 seconds without pressing down on the trigger. If the pump is left to overheat (not spraying water), it may experience thermal shock when cold water is introduced to the system once water is sprayed out again. This thermal shock can result in multiple component failures.



Axial Pump

Most pumps are protected by a thermal valve. The thermal valve releases water if a pump runs too hot. It will prevent catastrophic heat failure. However, the pump may have suffered damage and need maintenance, repair, or replacement. The thermal valve will need to be replaced if it has been activated.



ENGINE FUEL TYPE

Use only regular unleaded gasoline rated at 86 octane or higher. The best fuel to use will have a 0% ethanol blend. However, the engine can use a fuel with an ethanol blend of up to 10%.

ENGINE OIL TYPE

Use only SAE 10W30 motor oil for the engine. To check the oil, unscrew the engine dipstick. Then, wipe off the oil with a clean rag and dip it back into the engine. The oil should be well within the oil level markings.

Note* the engine will have two oil caps. Only one will have a dipstick.

ENGINE TYPE	FUEL TANK CAPACITY	OIL CAPACITY
Powerease 225	3.6 L / 0.95 US Gal	0.6 L / 0.63 US qt

PUMP OIL

This pressure washer comes with a sealed pump. You will not need to check or replace the oil.

ATTENTION

This pressure washer does **NOT** come with oil in the engine.

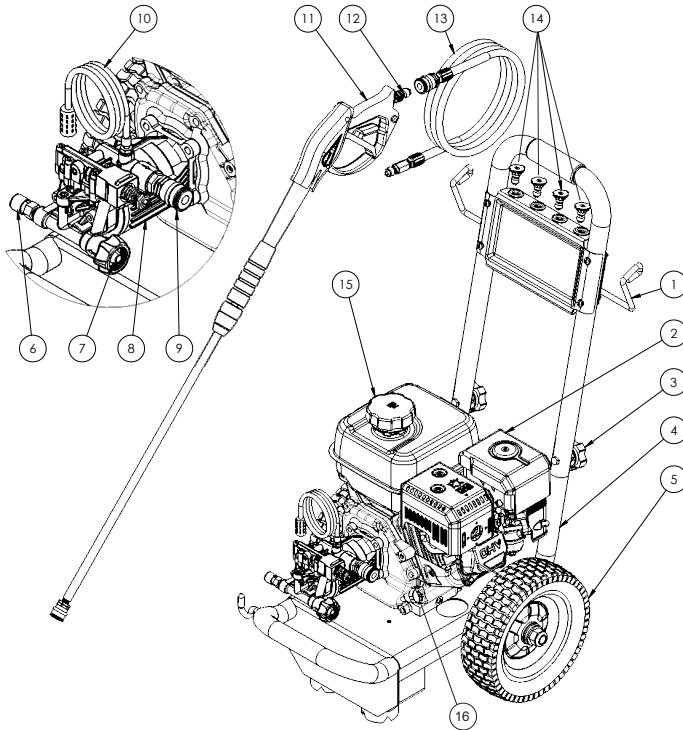
It will **NOT** start until the proper amount of oil has been added.

Included with this pressure washer is a bottle of oil. To fill the engine with oil, follow these steps.

1	Remove the oil cap that has the dipstick.
2	Remove the oil bottle's cap and seal.
3	Use the provided funnel to pour oil into the engine.
4	The oil level will need to be high enough to be visible half way up on the oil dipstick.
5	Once filled, put the oil cap back on the engine and secure it.
6	Put the cap back on the oil bottle and, if it's empty, dispose of it as required by your local regulations.

COMPONENT DIAGRAM

Your pressure washer may differ from the model shown.



1. Frame hook: Storage for the pressure washer hose or spray gun wand.
2. Air Filter Assembly: Cleans the air going into the engine.
3. Frame nut and bolt: Secures the frame handle to frame bottom.
4. Powder coated steel frame: Durable construction helps reduce vibration.
5. Heavy duty, no-flat, wheels: Able to traverse difficult terrain.
6. Thermal relief valve: Releases water when the pump is overheated. (See page 9 for details).
7. Pump Inlet: Connection fitting for the garden hose.
8. Axial Pump: Develops high pressure. Garden hose connects to the inlet and the high-pressure hose connects to the outlet.
9. Pump Outlet: Quick-Connect fitting for the high-pressure hose.
10. Detergent Siphoning Hose: Used to draw detergent into the stream when the black spray nozzle is used. (See page 17 for details).
11. Spray Gun Wand Assembly: Used to control water flow when spraying.
12. Spray Gun Quick-Connect: Connects the spray gun wand to the high-pressure hose.
13. High-Pressure Hose: Connects to the pump outlet and the gun wand assembly.
14. Spray nozzles: 15°, 25°, 40°, and Soaper, connects to the end of the spray gun wand for various cleaning applications.
15. Fuel Tank Cap: Remove to fill tank with gasoline. Use only fresh gasoline with no less than 86 octane and up to a 10% ethanol blend.
16. Oil dipstick port: There will be one on either side of the engine. One side will have a dipstick, the other will be a cap. Can be used to check or fill oil.

Your pressure washer will require some assembly. If you have any trouble with this process, please call our tech support department (**1-866-850-6662**) with your model number.

Unpack your pressure washer

- Remove all the components, including bags and manuals.
- Inspect components to make sure there is no visible damage.

ATTACH HANDLE

1. Remove any plastic coverings that may be on the handle. Slide the frame handle assembly (A) on to the pressure washer posts (B). Make sure the holes in the handle align with the holes on the frame supports.



2. Insert the bolts through the holes. The bolts will have hex heads that need to be matched to the sides of the handles with a hex-shaped hole pattern to help secure them. Thread on the plastic fasteners and tighten by hand.



3. Insert colored quick-connect spray nozzles, high-pressure hose, and gun wand assembly into the spaces provided.



4. If needed, attach the provided detergent siphoning hose to the brass barb coming out of the pump near the high-pressure outlet. (Do not attach to the black plastic thermal relief valve barb.)
5. Assemble the gun wand. The trigger assembly will be threaded onto the wand. Hand tighten only.

ASSEMBLY

HOSE CONNECTIONS

- **Quick-connect fittings:** pull back the collar of the coupler, insert the plug, and release the collar. Tug on fittings to confirm a secure lock.
- **Spray Nozzles:** To attach a spray nozzle to the end of the wand, pull back on the collar of the brass fitting. Insert the spray nozzle and release the collar. Tug on the nozzle to make sure it is secure. If it is loose, the high-pressure water will launch it out and may cause injury or damage.

Your pressure washer will come with several coloured spray nozzles that will have different spray patterns and abilities.

0° Nozzle (Red)	Concentrated stream to break apart baked-on mud or dirt. Use with extreme caution. (not included)
15° Nozzle (Yellow)	Narrow spray pattern that is aggressive and best used on hard surfaces to remove tough dirt.
25° Nozzle (Green)	General purpose spray pattern. Slightly wider, but still fairly aggressive.
40° Nozzle (White)	Wider spray pattern for large areas or softer surfaces.
Black Soaper Nozzle	Low pressure nozzle. This is the only nozzle that can be used with the chemical injector system.

1. Before operating the pressure washer, ensure you are familiar with all the warnings and safety recommendations.
2. Wear proper clothing and eye protection.
3. Always set up the machine where:
 - 3.1 It is on a level surface. If the machine is not level, it may not start or cause failures.
 - 3.2 There is sufficient ventilation.
 - 3.3 There are no signs of oil or gas leaks, including gas vapors.
 - 3.4 The machine is not exposed to rain, snow, or freezing temperatures. These harsh conditions can lead to component failure causing damage or injury.
4. Ensure that oil levels for the engine is correct.
 - 4.1 Use SAE 10W30 oil to fill the engine if needed.
5. Inspect the overall condition of the unit. Make sure there are no fuel or oil leaks or damaged parts. If any leaks or damaged parts are detected, **DO NOT** start the pressure washer until it is fixed.
6. Connect the high-pressure hose to the pump and the gun wand assembly to the other end of the hose.
7. Connect the garden hose to the pump.
 - 7.1 Ensure the inlet filter on the pump is present, intact, and clean before connecting the garden hose.

WATER SUPPLY MUST BE SUFFICIENT TO SUPPLY THE PUMP ADEQUATELY.

Every pressure washer has a Gallons Per Minute (GPM) rating that must be adhered to. If the pump does not get enough water, it will cavitate (starve for water). This will cause internal damage and pending failure.

To measure your water source GPM, you will need a container that you know the exact size such as a 5-gallon. When you're ready, start filling it from your water source while timing it for one minute. The amount of water in the 5-gallon bucket after one minute is the GPM rating.

For this pressure washer, the water source GPM should exceed the 2.4 GPM rating of the machine by one GPM to 3.4 GPM to account for any fluctuations from the water source.

The water source should have 20 to 60 PSI/1.38 to 4.1 BAR pressure going into the pump. Do not use a hose longer than 50ft/15m to the water source.

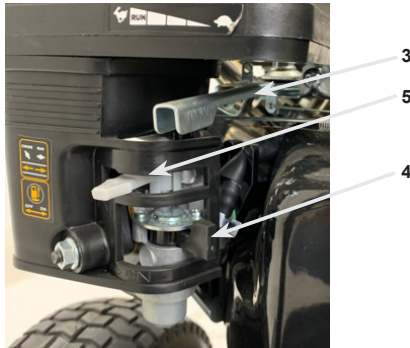
PRIME THE PUMP WITH WATER

Once all the hoses are connected, turn on your water supply and squeeze the spray gun's trigger. Continue to squeeze the trigger for about a minute for every fifty feet of garden hose being used to ensure that the pump is filled with water.

Insert the color spray nozzle that you plan to use. Make sure the nozzle is clean with no damage or blockages.

GAS ENGINE START PROCEDURE

1. Fill the fuel tank with gasoline. Use regular unleaded, 86 octane or higher that has no more than 10% ethanol blend.
2. Do not overfill the fuel tank. Always leave a space to allow the tank to breathe and the fuel to expand.
3. Set to full throttle. The lever will be all the way **LEFT**.
4. Turn the fuel valve to the **ON** position, which is all the way to the **RIGHT**.
5. Activate the choke if the engine is cold. Move the choke lever to the **LEFT**.



6. Put engine switch to the **ON** position. It will be a switch on the side of the engine as shown below.



7. With one hand, squeeze the trigger of the spray gun, so the water is flowing. Brace the pressure washer with your foot. With the other hand, grip the recoil handle and slowly pull it out until you feel resistance. Pull briskly on the recoil. You may have to pull it several times before it starts running.
8. Once the engine has warmed up, disengage the choke by moving the choke lever all the way **RIGHT**. If it stalls, then it needs to get warmer before the choke is turned off. Restart the engine, let it warm up, and then try turning the choke off again.

Important Note: The pressure washer has been designed to run at full throttle. If you lower the throttle then the load-to-power ratio between the engine and pump will be incorrect. This will cause undue strain on the system while pressure washing, causing parts to wear quicker.

In normal operation, to stop the engine:

1. Throttle down the engine.
2. While holding the spray gun trigger, turn off the engine.
3. Turn the fuel valve to the OFF position.

Emergency Stop: Switch the engine to the OFF position immediately. This will stop the engine right away, but may trap pressure in the system, which may prevent restarts or the ability to remove the hose or spray gun.

1. Turn off the water source and squeeze the trigger again to release pressure and water before disconnecting the hoses.
2. Drain the water out of the hoses before putting into storage.

**GENERAL PRESSURE WASHER OPERATION TECHNIQUES**

1. Always follow safety practices as outlined in this manual.
2. Always begin spraying at a safe distance from the intended surface and move closer until the desired cleaning effect can be observed.
3. Generally, do not use a 90° spray angle. Instead, it is usually more effective to use a shallower angle so that the reflecting spray can be directed in a safe and controlled direction.
4. Holding down the trigger, move the wand side-to-side to clean the surface. Once you get a feel for how the cleaning performance behaves you will naturally find your rhythm.
5. Always be aware of what you are spraying and take greater care on fragile surfaces such as wood or glass to prevent damage.
6. Always remember to squeeze the trigger once every 30 seconds to flush the pump with cool water to prevent overheating.
7. If you have to stop washing for more than a few minutes, you should turn off the machine.

PRESSURE CONTROL AND DETERGENTS

HOW TO CONTROL PRESSURE

- The pressure washer is preset at the factory to deliver the optimum performance for its setup.
- Do not adjust the unloader.
- Adjusting the unloader can lead to failures, including poor performance, engine stalling, and breaking internal parts of the pump and unloader.
- The primary method of controlling pressure is by the distance between the nozzle and the surface. Always start far away and slowly move closer to the surface.
- The angle of the spray toward the surface will also influence pressure. For example, coming at the surface at a 90° angle will have more impact force than a shallow angle.
- Pressure can also be controlled by the type of spray nozzle that is used in the gun wand. The wider the spray, the less pressure directly impacting the surface.
- Pressure can also be decreased by using nozzles with a larger orifice size.
- Be careful when cleaning any soft surface, like wood, or anything that can crack or break apart, like glass or paint.

CLEANING WITH DETERGENTS

1. The black soaper nozzle must be installed on the spray gun wand. It is the only nozzle that will draw soap through the pressure washer system.
2. The detergent being used must have a thin viscosity (similar to water).
3. Fill a container with detergent and place it next to the pressure washer. Connect the clear detergent suction tube to the brass barb on the pressure washer pump, and put the end with the filter into the detergent container.
4. Turn on the pressure washer and spray the water. You will be able to see the detergent moving through the suction tube. Once the detergent is spraying out of the nozzle, it will cause foam to appear.
5. When using detergent, spray the desired area and give it some time for the soap to chemically breakdown the dirt. Then use the pressure washer to wash it off before it dries. Do not let the detergent dry on the surface, as it may result in damage.
6. When you are finished using the detergent, you must flush the detergent injector system to prevent detergent residue from building up. To rinse, use clean water in a separate container. Place the detergent suction tube into the clean water, then spray for at least two minutes to flush the system.

Improper storage of the pressure washer will lead to failures that are not covered by the warranty.

⚠ WATER – FREEZING WARNING

Leaving water in the pump and accessories can result in damage if the water freezes. Water will expand when it turns to ice. The resulting force can cause ruptures and crack brass fittings, valves, and seals, requiring complete replacements (not warrantable).

1. When the unit is not in use, drain all the hoses and the spray gun assembly.
2. If the unit is going to be stored for an extended period, or if there is any chance the pressure washer will be exposed to freezing temperatures, then plumbing/RV anti-freeze must be cycled through the pumps' water ways.
3. We recommend using BE Power Equipment Pump Saver Anti-Freeze. It has a specially designed cap to thread right onto the garden hose fitting of the pump. (Part number 85.490.046, contact your local dealer).
4. To apply, first ensure the engine and fuel valve are in the OFF position.
5. Thread the bottle onto the garden hose fitting of the pump and open the valve on the cap. Pull the recoil to cycle the anti-freeze solution through the pump. It is recommended to squeeze the bottle to force the anti-freeze into the pump if needed. Continue until it comes out of the high-pressure hose fitting. At this point, anti-freeze is protecting all the internal water chambers of the pump.
6. The best defense against freezing is to store the pressure washer in a warm location that will not be exposed to freezing temperatures.

⚠ GASOLINE ENGINE FUEL SYSTEM WARNING

Gasoline degrades over time and will leave solid residues if it dries out in your fuel system. This will clog the fuel system and result in failure to start the machine (not warrantable).

1. Fuel degrades quicker the more it is exposed to air and the greater the percentage of ethanol in the blend.
2. Fuel stabilizer is strongly recommended to slow down the degradation process of fuel. The best practice is to mix the fuel stabilizer in the fuel storage container.
3. If the unit will not be used within 30 days, then drain all the fuel from the tank and carburetor.
 - 3.1 Use fuel stabilizer in the tank to mix with the fuel.
 - 3.2 To drain the fuel, have a container ready to catch the fuel.
 - 3.3 Use a wrench to loosen the bottom bolt of the carburetor and let all the fuel pour into the container. Once it stops, tighten the bolt. The fuel stabilizer that was put in the tank earlier will help prevent any residue fuel from drying into a hard residue.
 - 3.4 Open the fuel valve of the engine.
 - 3.5 To prevent wasting fuel, you can use the drained fuel in any vehicle that uses the same type of fuel.
 - 3.6 When storing gasoline, always use an airtight jerry can and fuel stabilizer for the best results. The best practice is to store fuel for no more than a year before using it.

In general, wipe off any dirt or water and cover the pressure washer. Store it in a clean and dry location.

MAINTENANCE

GASOLINE ENGINE

Refer to the engine manual that came with your pressure washer for details.

Routinely check:

1. Oil level and condition.
2. Air filter.
3. Sparkplug.
4. Watch for leaks.

ENGINE MAINTENANCE SCHEDULE		
Engine Oil	Check	Every Use.
	Replace	After the first 20 hours of operation. After every 100 hours there after. Inspection shows oil is dirty.
Air Filter	Check	Every Use.
	Replace	When dirty or damaged.
Fuel Lines	Check	Every Use.
	Replace	When damaged/leaking fuel.
Fuel Cap Filter	Check	Every Use.
	Replace	When unable to clean or if damaged.
Spark Arrestor (if applicable)	Check	Every 25 hours.
	Replace	When unable to clean or if damaged.
Spark Plug	Check	Every 100 hours.
	Replace	When unable to clean or adjust.
Valve Clearance	Check	Every 300 hours.*
Idling RPM	Check	Every 300 hours.*
*Have serviced at an authorized service center.		

PUMP MAINTENANCE

This pressure washer comes with a sealed pump. You will not need to check or replace the oil.

WATER INLET FILTER

1. Inspect before every use.
2. Rinse clean when dirty.
3. Replace when damaged or leaking.

Fittings: Inspect for leaks and damage. Replace parts as needed.

GAS ENGINE TROUBLE SHOOTING		
PROBLEM	CAUSE	SOLUTION
Engine will turn over, but doesn't start (recoil can be pulled normally)	No fuel.	Fill with fresh regular unleaded fuel.
	Fuel is stale or contaminated.	Remove old fuel, replace with fresh fuel. You may need to clean fuel system.
	Low oil.	Fill with SAE 10W30 motor oil.
	Engine is switched off.	Turn switch to the ON position.
	Low RPM setting.	Turn throttle to full RPM (rabbit).
	Choke not engaged.	Turn choke on.
	Fuel valve is off.	Turn fuel valve on.
	Air filter too dirty.	Clean or replace.
	Fuel tank is overfilled and cannot breathe.	Drain some fuel to allow it to breathe.
	Oil in carberator.	Remove the bolt from bottom of carburetor and flush with fuel.
	Unloader set too tight.	Back off unloader.
	Gasoline in engine crankcase.	Carburetor is plugged. Need to clean carburetor and engine. Ensure needle is seating.
Unable to pull Recoil (recoil feels seized)	Trapped pressure in the pump.	Squeeze the trigger of the gun to release pressure.
	Oil In Air Filter.	Remove and replace air filter. Clean excess oil.
	Oil In spark plug cyclinder.	Remove and clean the spark plug. Clear out oil from cycliner.
	Unloader set too tight.	Back off unloader.
Engine runs then stops	No fuel.	Fill with regular unleaded fuel.
	Low oil.	Fill with 10W30 motor oil.
	Unloader set too tight.	Back off unloader.
	Fuel cap, or breather tube not breathing (where applicable).	Loosen fuel cap and if the machine runs, then clean or replace fuel cap/valve.

TROUBLESHOOTING

Engine runs then stops	Fuel is stale or contaminated.	Remove old fuel, replace it with fresh fuel. May need to clean any fuel valves, carburetor or filters.
	Leaking fuel.	Inspect for leaks and repair.
Rough running/ odd sound	Choke is still engaged.	Turn choke off.
	Engine not at full throttle.	Turn engine to full throttle (rabbit).
	Air filter dirty.	Check air filter, replace if needed.
	Clogged exhaust or spark arrestor.	Clean or replace as needed.

PUMP TROUBLE SHOOTING

No water going through pump (with no hose/gun attached)	No water source attached.	Connect garden hose to pump.
	Water source is blocked.	Confirm water is flowing through hose without obstruction.
	Inlet filter plugged.	Clean or replace inlet filter.
Low water pressure	Low water inlet pressure.	Ensure inlet GPM/LPM flow is enough for pressure washer.
	Partially blocked water flow.	Ensure water flows through all hoses and fittings.
	Gun nozzle issue.	Ensure nozzle is clean and right size.
	Gun failure.	The gun is leaking or blocked, may need to replace.
	Water leaks in system.	Locate water leak, and fix or replace.
	Unloader not properly adjusted.	Tighten unloader.
Water not getting through the spray gun	Pressure hose not connected to pump.	Connect to pump.
	Hose obstruction.	Check for water through hose. Clean or replace.
	Gun failure.	May need to replace gun, especially if leaking.
	Spray nozzle plugged.	Clean or replace spray nozzle.
Pressure Fluctuation	Partially blocked inlet filter.	Remove garden hose, ensure filter is in place and clean.
	Inconsistent water source.	Ensure gallons per minute flow is enough for pressure washer.

Pressure Fluctuation	Clogged Check Valve.	Need to clean or replaces valves. It is recommended to call service center.
	Gun failure.	Trigger flaw, intermittently siezed. May need to clean or replace.
	Worn valves and/or seals in head of pump.	Need to replaces seals. Recommend call service center.
Thermal Valve Leaking.	Unit was over heated.	Need to replace thermal valve.

DETERGENT SYSTEM TROUBLE SHOOTING		
Not spraying detergent	Black spray nozzle not being use.	Only the black spray nozzle will work with the detergent system.
	Blak spray nozzle clogged or damaged.	Clean or replace as needed. Orifice must be unobstructed.
	Detergent pick-up tube is not in the solution.	Make sure the detergent container is full and the pick up tube is deeply submerged.
	Detergent pick-up tube is not attached to brass barb.	Make sure pick up tube is attached to the brass injector barb (not the black plastic barb).
	Detergent pick-up tube has been extended.	If the pick-up tube is too long, it will no longer work. Use original length pick-up tube.
	Detergent too thick.	Thin solution. The viscosity needs to be similar to water.
	Ball-bearing in detergent injector is stuck.	Carefully remove brass injector. Clean ball bearing, spring, and brass making sure parts are moving freely.

WARRANTY

BE Power Equipment Inc. warrants the original retail purchaser that this pressure washer is free from defects in material and workmanship for the periods set forth below. If defects are found in BE Power Equipment products within the limitations outlined in this warranty statement, BE Power Equipment, at its sole discretion, will repair or replace the product free of charge.

The warranty coverage begins on the date of purchase by the end-user. Valid proof of purchase must be presented with the warranty claim.

- POWEREASE Engine: 2 Years / 5 Years when Registered
- Axial Pump: 1 Year
- Accessories: 90 Days
- Frame: Lifetime

This warranty is limited to defects that occurred during regular operational use. This warranty does not cover failures due to lack of service, negligence, abuse, or misuse. Including, but not limited to, freezing damage, alterations, chemical deterioration, scale build-up, rust, corrosion, thermal shock, thermal expansion, transportation damage, oil changes, valve adjustments, fuel system maintenance or using incorrect repair parts. Furthermore, using the wrong fuel, oil, or water supply, is considered a form of misuse.

This warranty also does not cover normal wear items such as O-rings, valves, seals, filters, sparkplugs, or packings. These are considered to be maintenance items.

BE Power Equipment expressly disclaims liability for injuries to persons or property or for incidental damages, rental loss, time loss, transportation costs, or consequential damages. It is the buyer's responsibility to ensure the correct installation and application of the product purchased.

THE WARRANTY CONTAINED HEREIN IS IN LIEU OF ALL OTHER WARRANTIES, EXPRESS OR IMPLIED, INCLUDING ANY IMPLIED WARRANTY OR FITNESS FOR A PARTICULAR PURPOSE. BE Power Equipment does not authorize any of its dealers, service centers, agents, employees, or any other party to expand, extend, or modify the scope of this warranty in any manner on behalf of BE Power Equipment.

To obtain warranty, the claimant must take the product, along with their original proof of purchase, to an authorized service center.

BE Power Equipment service centers can be found on the website:
<https://www.bepowerequipment.com/service-centers>

If you cannot resolve the warranty claim satisfactorily, contact the BE Power Equipment Technical Support Team at 1-866-850-6662. Be prepared with details of the defect, proof of purchase, model, and the pressure washer's serial number.



BE POWER EQUIPMENT

DO NOT RETURN THIS PRODUCT TO THE STORE

**IF YOU NEED ANY TECHNICAL ASSISTANCE
CONTACT OUR CUSTOMER SERVICE**

1-866-850-6662

(8:00am - 4:30pm PST, Mon - Fri)

BEPOWEREQUIPMENT

.COM

BE POWER EQUIPMENT



DE LAVEUSE À PRESSION
MANUEL
D'OPÉRATEUR

BEPOWEREQUIPMENT

.COM

TABLE DES MATIÈRES

INTRODUCTION	4
SURVOL DE LA SÉCURITÉ	5
SYSTÈME DE REFROIDISSEMENT LAVEUSE À PRESSION	9
TYPE D'ESSENCE ET HUILE	10
SCHÉMA ET COMPOSANTES DE LA LAVEUSE	11
MONTAGE	12
AVANT D'OPÉRER	14
PROCÉDURE DE DÉMARRAGE	15
PROCÉDURE D'ARRÊT	16
COMMENT CONTRÔLER LA PRESSION	17
NETTOYER AVEC DES DÉTERGENTS	17
ENTREPOSAGE	18
ENTRETIEN	19
DIAGNOSTIQUER	20
GARANTIE	23

Félicitations pour votre achat d'une laveuse BE Power Equipment. Vous pouvez avoir confiance que cette laveuse à pression est construite et testée avec une performance optimale et de qualité à l'esprit.

Lire ce manuel vous permettra d'avoir les meilleurs résultats pour préparer, mettre en marche, entretenir et éviter des blessures personnelles ou dommage à votre appareil. En sachant comment opérer votre appareil adéquatement, vous serez en mesure de le montrer aux autres personnes qui opéreraient l'appareil.

Toutes les informations dans ce manuel sont basés sur les informations disponible lors de l'impression. Be Power Equipment se réserve le droit de faire des changements à n'importe quel moment sans préavis ou obligation.

Responsabilité du Propriétaire/Opérateur

Le propriétaire/opérateur doit avoir une compréhension approfondie du fonctionnement, de l'entretien et dangers associé à l'utilisation de cet appareil. Il faut comprendre que c'est la responsabilité du propriétaire/opérateur d'utiliser cet appareil en toute sécurité tel que mentionné dans ce manuel.

Ce manuel est considéré comme une pièce de l'appareil et doit être garder dans un endroit sécuritaire. Si l'appareil est revendu ou donné à quelqu'un d'autre, ce manuel doit être inclus.

Enregistrement de la Garantie du Produit

Vous devez enregistrer votre produit sur notre site internet pour la garantie. Svp visitez notre site internet sur ce lien et remplir toutes les informations requises. bepowerequipment.com/product-registration



Enregistrement et Identification du Produit

Il est recommandé d'enregistrer l'identification du produit dans ce manuel. Il est important d'avoir ces numéros sous la main si vous avez besoin de contacter le support technique (1-866-850-6662). Les numéros du modèle et de série peuvent être trouvé sur la boîte et sur l'autocollant de l'appareil.

IDENTIFICATION DE PRODUIT

Numéro de Modèle: _____

Numéro de Série: _____

Date d'Achat: _____

Nom du Détaillant: _____

SURVOL DE LA SÉCURITÉ

SAUVEGARDER CES INSTRUCTIONS - RÈGLES DE SÉCURITÉ



Ceci est le symbole d'alerte de sécurité. Utilisé pour vous avertir des risques de blessures potentiels. Obéir à tous les messages de sécurité suivant ce symbole afin d'éviter des blessures ou mort possible.

Le symbole d'alerte de sécurité (▲) est utilisé avec un mot (**DANGER, ATTENTION, AVERTISSEMENT**), une illustration et message de sécurité pour vous avertir aux dangers.

DANGER indique un danger qui, si non évité, causera des blessures sérieuses ou mort.

AVERTISSEMENT indique un danger qui, si non évité, pourrait causer des blessures sérieuses ou mort.

ATTENTION indique un danger qui, si non évité, pourrait causer des blessures mineures.

NOTIFICATION indique une situation qui pourrait causer des dommages matériels.

MESURES DE SÉCURITÉ IMPORTANTES - SAUVEGARDER CES INSTRUCTIONS

ATTENTION - lors de l'utilisation de ce produit, suivre les précautions devrait toujours être observé et respecté.

1. Lire les instructions avant l'utilisation du produit.
2. Pour réduire le risque de blessures, une étroite supervision est nécessaire lorsque le produit est utilisé prêt des enfants.
3. Sachez comment arrêter le produit et purgez rapidement les pressions. Soyez parfaitement familier avec les contrôles.
4. Restez alerte. Surveillez ce que vous faites.
5. Ne pas se servir de l'appareil lorsque fatigué ou sous l'influence de l'alcool ou drogues.
6. Ayez la zone d'opération à l'écart des autres personnes.
7. Ne pas trop s'étirer ou se tenir sur un support instable. Garder plutôt une base et balance solide à tout moment.
8. Suivre les instructions d'entretien spécifié dans le manuel.

AVERTISSEMENTS IMPORTANT

Le non-respect des avertissements annulera la garantie et pourrait causer des blessures.

1. Ne pas laisser la laveuse à pression surchauffé. La chaleur excessive causera des dommages sérieux. (voir page 10 pour les détails).
2. Ne jamais mettre en marche l'appareil sans eau. Faire marcher la pompe à sec causera un arrêt rapidement.
3. Ne pas laisser l'appareil geler. De l'eau gelé dans la pompe causera des dommages sévères.
4. Toujours utiliser des lunettes de protection lors de l'utilisation de l'appareil.
5. La pulvérisation d'eau à haute pression peut causer des blessures sérieuses ou endommager le matériel souple. Utiliser avec précaution.
6. Ne jamais ajuster le déchargeur dépasser la pression pré-réglé. Usure prématuré, panne d'équipement ou blessure pourrait survenir.

SÉCURITÉ PERSONNEL

▲ AVERTISSEMENT - Toujours porter un équipement de protection approprié car la pulvérisation à haute pression peut faire voler des débris à une grande vitesse créant un risque de blessure ou dommage.

- **TOUJOURS** porter des lunettes de sécurité pour protéger les yeux. Toutes les autres équipements tel que protection auditive, bottes à cap d'acier, vêtements, gants et visière de sécurité sont recommandés.
- **JAMAIS** laver à haute pression sans bottes de protection fermées au cas de pulvérisation accidentelle.
- **TOUJOURS** s'assurer de savoir où le pistolet pointe et votre environnement.
- **JAMAIS** le diriger vers des gens ou animaux.
- **NE PAS** laisser des enfants ou personnes non qualifiées utiliser la machine.
- **NE PAS** utiliser la machine lorsque fatigué ou sous l'influence de l'alcool ou drogues.

SÉCURITÉ GÉNÉRAL DE LAVEUSES À PRESSION**▲ DANGER - PULVÉRISATION HAUTE PRESSION**

- **JAMAIS** diriger le pistolet vers vous, d'autres personnes ou animaux.
- Le jet à haute pression peut transpercer le linge, les sous-vêtements et la peau pouvant mener à de sérieuses blessures.
- Si ce genre d'incident survient, **NE PAS TRAITER COMME UNE SIMPLE COUPURE. ALLER IMMÉDIATEMENT CHERCHER DE L'AIDE MÉDICALE.** Si vous utilisez des produits de nettoyage, soyez prêt à mentionner au médecin lequel exactement.
- Les pistolets peuvent avoir des rebonds importants. **TOUJOURS** être prêt et avoir les pieds fermes lors de l'utilisation.
- **JAMAIS** tenter de réparer le boyau à haute pression, les raccords ou pistolet. Toujours remplacer les pièces s'ils ont une fuite ou sont endommagés.
- **JAMAIS** contourner la gachette. Ceci est une caractéristique importante du système.
- **JAMAIS** laisser en marche l'appareil sans surveillance.
- **SOYEZ** prudent même lorsque l'appareil n'est pas en marche. De la pression peut être prise dans la pompe et le boyau et pourraient causer des blessures ou dommages. Après avoir éteint l'appareil, toujours presser la gachette pour relâcher toute pression.
- **TOUJOURS** s'assurer que toutes les connexions et raccords sont solidement fixés. L'eau à haute pression peut détacher les raccords ou les buses dans les projectiles causant blessures ou dommages.
- **JAMAIS** regarder directement dans le pistolet ou le boyau à haute pression.
- **JAMAIS** mettre votre main en avant de la buse pour tester la pression.

▲ DANGER – ELECTROCUTION

- **JAMAIS** pulvériser de l'eau sur une source d'alimentation ou cordes.
- **JAMAIS** laisser couler l'eau dans une source d'alimentation ou cordes.

▲ AVERTISSEMENT - SÉCURITÉ GÉNÉRALE

- **SEULEMENT** utiliser de l'eau froide pour alimenter la machine, sauf si c'est spécifiquement indiqué que la machine peut utiliser de l'eau chaude.
- Vérifier la zone de travail pour être certain qu'il n'y a pas de dangers ou débris qui pourraient être projetés par la pulvérisation causant des blessures ou dommages.
- **TOUJOURS** être attentif aux surfaces qui seront trempées et pourraient devenir glissantes.
- **TOUJOURS** avoir une bonne prise du pistolet et une assise stable.
- **TOUJOURS** s'assurer de vidanger adéquatement l'eau afin d'éviter une inondation dans des endroits non voulus.
- **JAMAIS** opérer la machinerie si elle est endommagée ou manquant des pièces.

SURVOL DE LA SÉCURITÉ

- **JAMAIS** modifier la machine d'aucune façon.
- **NE PAS** bouger l'appareil en tirant sur le boyau ou les cordes. À la place, utiliser la poignée sur le chariot pour bouger l'appareil au besoin.
- Faites **ATTENTION** lorsque vous pulvérisiez des matériaux mous tel que des plantes ou bois car la pulvérisation à haute pression peut les endommagés rapidement.
- Faites **ATTENTION** lorsque vous pulvérisiez des matériaux cassants tel que de la vitre qui pourrait se casser, créant des projectiles dangereux.
- Utiliser seulement les accessoires recommandé. **NE PAS** forcer ou modifier des pièces pour s'adapter.
- **TOUJOURS** arrêter le moteur et débrancher la bougie pour toutes procédure d'entretien.
- **JAMAIS** essayer d'entretenir l'appareil lorsqu'elle est en marche. Retirer des pièces et pression peuvent causer des blessures sérieuses.
- Garder l'appareil à l'abri de la pluie et des intempéries.
- **TOUJOURS** opérer l'appareil sur une surface de niveau. Elle peut saisir si opérer dans un angle.

AVERTISSEMENT - DÉTERGENTS CHIMIQUES/SAVON

- **TOUJOURS** utiliser des détergents spécialement conçu pour la laveuse à pression.
- **JAMAIS** utiliser des solutions inflammables, corrosifs ou acides.
- **JAMAIS** modifier le système d'injection chimique.
- **TOUJOURS** vidanger le système après l'utilisation de détergent. Laisser en marche l'appareil au moins deux minutes avec de l'eau claire afin de prévenir le détergent de sécher and accumuler des résidues. Si des résidues s'accumulent, cela pourrait causer une panne du système d'injection chimique.
- **TOUJOURS ÊTRE PRÉPARÉ** pour toutes urgences impliquant des détergents. Sachez exactement ce contient le détergent. Si une urgence survient et un spécialiste a besoin de cette information, des fiches de données de sécurité (**SDS**) sont disponibles et devraient être facilement accessibles.
- **TOUJOURS** garder les détergents hors de la portée des enfants et animaux.
- Ayez un ensemble de douche oculaire disponible en cas d'urgence.

SÉCURITÉ DU MOTEUR À ESSENCE

Si votre laveuse à pression à un moteur à essence, le moteur aura son propre manuel. Passez en revue minutieusement et comprenez le manuel du moteur.

DANGER – ÉMANATIONS TOXIQUES

- **TOUJOURS** utiliser l'appareil à l'extérieur dans des endroits bien ventilés.
- Les émissions du moteur incluent du gaz toxique monoxyde de carbone. C'est un gaz sans couleur et sans odeur qui déplacera l'oxygène et être fatal avec des concentrations suffisamment élevées.
- Les symptômes d'empoisonnement au monoxyde de carbone incluent mal de tête, fatigue, étourdissement, nausée, confusion, vomissement et convulsions. Si l'empoisonnement continue il en résultera à une perte de connaissance et mort.
- Aux premier signe de n'importe quel symptômes, éteignez **IMMÉDIATEMENT** l'appareil et allez dans un endroit bien ventilé et consultez un médecin.
- Le monoxyde de carbone est plus lourd que l'air atmosphérique et remplira d'abord les espaces restreints. Utilisez une **EXTRÊME PRÉCAUTION** lorsque vous opérez dans des endroits restreints tels que tranchées tunnels ou fossés.
- **JAMAIS** positionner l'appareil où le gaz d'échappement peut s'immiscer au travers des vitres, portes, ventilation ou tout autre accès qui mène à l'intérieur ou dans des espaces confinés.
- **JAMAIS** utiliser un respirateur comme protection contre le monoxyde de carbone. La **SEULE** protection dont vous pouvez vous fier est un système d'alimentation en air frais tel que le SCUBA système.

⚠ DANGER – INCENDIES ET EXPLOSIONS LIÉS AU CARBURANT

- Le carburant et ses vapeurs sont extrêmement inflammables et explosives.
- Le feu et explosion peut causer des brûlures sévères ou mort.
- **JAMAIS** remplir le réservoir à essence lorsque l'unité est en marche.
- **TOUJOURS** éteindre le moteur et le laisser refroidir pour au moins deux minutes avant de retirer le bouchon à essence. Desserrer le bouchon à essence lentement pour relâcher la pression dans le réservoir.
- **TOUJOURS** remplir ou vidanger le réservoir à essence à l'extérieur.
- **NE PAS** trop remplir le réservoir. Laisser un espace dans le col du réservoir à essence pour lui permettre de respirer et pour l'expansion du carburant.
- **JAMAIS** avoir des flamèches ou flammes près du carburant, incluant cigarettes, flamme, veilleuses et d'autres sources d'allumage.
- S'il y a déversement d'essence, attendez jusqu'à ce qu'elle s'évapore complètement. Déplacer l'appareil vers un nouvel emplacement, et attendez ensuite au moins deux minutes avant de démarrer le moteur.
- **JAMAIS** faire marcher le moteur avec la bougie retirée et toujours dans son stand.
- Lors de la transportation ou entreposer l'appareil, vidanger le réservoir à essence et le carburateur et mettre le carburant dans un bidon hermétique. Puis, déplacer le robinet de carburant en position fermé.
- Ne jamais entreposer de l'essence près de toute source d'inflammation ou surface chaude.

⚠ ATTENTION - SURFACES CHAUDES

- Le silencieux du moteur va chauffer rapidement et peut causer des brûlures sévères si en contact.
- Le pot d'échappement sera chaud et peut causer des brûlures aux gens et objets.
- Garder les produits inflammables loin du silencieux.
- Garder une distance d'au moins cinq pieds du pot d'échappement afin de prévenir des dommages sur des surfaces comme le revêtement extérieur ou véhicules.
- La pompe deviendra chaude aussi durant l'opération et devrait être évitée.
- Après que la laveuse à pression soit démarré, **NE PAS** touché aucune pièces de la laveuse à pression à l'exception de l'interrupteur marche/arrêt, poignée, boyau et pistolet.

⚠ AVERTISSEMENT - REBOND DU REcul

- Rebond de la corde du recul (rétraction rapide) peut entraîner des blessures corporelles.
- Un rebond peut tirer votre main et bras vers le moteur plus vite que vous le laisseriez aller causant entorses, coupures, ecchymoses et fractures osseuses.
- **JAMAIS** tirer sur la corde de démarrage sans avoir tout d'abord relâcher la pression du pistolet.
- Lorsque vous démarrez un moteur, la première chose consiste à appuyer sur la gâchette afin d'empêcher la pression de s'accumuler dans le système.
- Tirer sur la corde du démarreur jusqu'à ce que vous sentiez une résistance. Permettez à la corde de se rétracter et ensuite tirer sur le démarreur afin d'éviter un rebond et blessures.

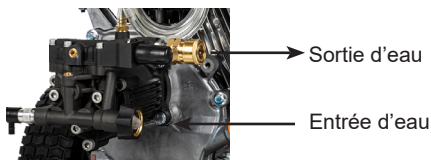
NE PAS SURCHAUFFÉ VOTRE APPAREIL

Ne pas laisser votre appareil surchauffer. le non-respect de cette consigne entraînera des dommages, annulation de garantie et causer des blessures.

Les moteurs à gaz sont avec air conditionné. Toujours s'assurer que l'appareil est opéré dans un endroit bien ventilé où elle peut tirer un apport constant d'air frais. Si le moteurs surchauffe, il peut s'arrêter, rapidement bruler l'huile et entrainer une défaillance des composantes. Les flèches ci-bas montre un exemple d'entrée d'air sur un moteur.



Les pompes sont refroidi par le devant en ayant de l'eau fraiche passé par la pompe, ensuite pulvériser par le pistolet. Afin de maintenir le flux d'eau, maintenez la gachette du pistolet enfoncé pour continuer de pulvériser de l'eau. Ne pas laisser l'appareil marché pour plus de 30 secondes sans appuyer sur la gachette. Si la pompe est laisser à surchauffer (ne pas pulvériser de l'eau), il peut en résulter un choque thermique quand l'eau froide est introduit dans le système une fois que l'eau est pulvérisé à nouveau. Ce choque thermique peut causer plusieurs défaillances des composantes.



Pompe axiale

La plupart des pompes sont protégées par une soupape thermique. La soupape thermique relâche l'eau si une pompe commence à surchauffer. Cela évitera une panne de chaleur catastrophique. Cependant, la pompe pourrait avoir souffert de dommages sévères et aurait besoin d'entretien, de réparation ou de remplacement. La soupape thermique aura besoin d'être remplacé une fois déclenché.

Fuite d'eau pour
éviter la surchauffe



TYPE D'ESSENCE À MOTEUR

Utilise du gaz sans plomb évalué à 86 octane ou plus. Le meilleur carburant à utiliser aura 0% de mélange d'éthanol. Cependant, le moteur peut utiliser de l'essence mélangé jusqu'à 10% d'éthanol.

TYPE D'HUILE À MOTEUR

Utiliser seulement de l'huile à moteur SAE 10W30 pour le moteur. Pour vérifier l'huile, dévisser la jauge du moteur. Ensuite, essuyer l'huile avec une guenille propre et la replonger dans le moteur. L'huile doit être bien dans le repère de niveau d'huile.

Note* le moteur aura deux bouchons à huile. Un seul aura la jauge.

TYPE DE MOTEUR	CAPACITÉ DU RÉSERVOIR D'ESSENCE	CAPACITÉ D'HUILE
Powerease 225	3.6 L / 0.95 US Gal	0.6 L / 0.63 US qt

TYPE D'HUILE À POMPE

Cette laveuse haute pression est livré avec une pompe étanche. Vous n'aurez pas besoin de vérifier ou de remplacer l'huile.

ATTENTION

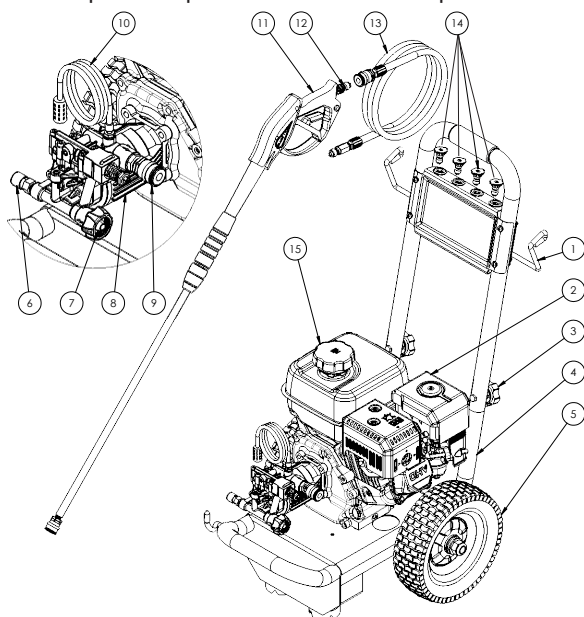
Cette laveuse à pression **PAS** livré avec de l'huile dans le moteur.

Il ne démarrera **PAS** tant que la quantité d'huile appropriée n'aura pas été ajoutée.

Une bouteille d'huile est incluse avec Cette laveuse haute pression. Pour remplir le moteur d'huile, suivez les étapes suivantes.

1	Retirez le bouchon d'huile qui contient la jauge.
2	Retirez le bouchon et le joint de la bouteille d'huile.
3	Utilisez l'entonnoir fourni pour verser l'huile dans le moteur.
4	Le niveau d'huile doit être suffisamment élevé pour être visible à mi-hauteur de la jauge d'huile.
5	Une fois rempli, remettez le bouchon d'huile sur le moteur et sécurisez-le.
6	Remettre le bouchon sur la bouteille d'huile et, si elle est vide, en disposer selon les régulations locales.

Votre laveuse haute pression peut différer du modèle présenté.



1. Crochet de cadre: Rangement pour le boyau de la laveuse haute pression ou la lance du pistolet de pulvérisation.
2. Ensemble de filtre à air: Nettoie l'air entrant dans le moteur.
3. Écrou et boulon du châssis: Fixe la poignée du cadre au fond du cadre.
4. Cadre en acier thermolaqué: construction durable aidant à réduire la vibration.
5. Pneus robustes à toute épreuve: se gèrent bien sur des terrains tortueux.
6. Soupape de décharge thermique: Libère de l'eau en cas de surchauffe de la pompe. (Voir page 9 pour plus de détails).
7. Entrée de la pompe : Raccord de connexion pour le boyau d'arrosage.
8. Pompe axiale: Développe une pression élevée. Le tuyau d'arrosage se raccorde à l'entrée et le boyau haute pression se raccorde à la sortie.
9. Sortie de pompe: Raccord à connexion rapide pour le boyau haute pression.
10. Tuyau de siphonnage du détergent: Utilisé pour aspirer le détergent dans le jet lorsque la buse de pulvérisation noire est utilisée. (Voir page 17 pour plus de détails).
11. Ensemble lance et pistolet de pulvérisation: Utilisé pour contrôler le débit d'eau lors de la pulvérisation.
12. Raccord rapide du pistolet de pulvérisation: Permet de raccorder la lance du pistolet de pulvérisation au boyau haute pression.
13. Boyau haute pression: se branche à la sortie de la pompe et au pistolet et lance assemblé.
14. Buses de pulvérisation: 15°, 25°, 40°, à savon, se connectent à l'extrémité de la lance du pistolet de pulvérisation pour diverses applications de nettoyage.
15. Bouchon du réservoir de carburant: Retirez-le pour remplir le réservoir d'essence. N'utilisez que de l'essence fraîche avec un indice d'octane d'au moins 86 et un mélange d'éthanol pouvant atteindre 10%.

Votre laveuse à pression nécessitera un peu d'assemblage. Si vous avez des problèmes avec le processus, svp appeler notre département de support technique (**1 866 850 6662**) avec votre numéro de modèle.

Déballer votre laveuse à pression

- Retirer toutes les composantes, incluant les sacs et manuels.
- Inspecter les composantes afin de s'assurer qu'il n'y a pas de dommage visible.

INSTALLER LA POIGNÉE

1. Retirer toute matière en plastique qui pourrait couvrir la poignée. Faites glisser l'ensemble de la poignée du cadre (A) sur les montants de la laveuse haute pression (B). Assurez-vous que les trous de la poignée sont alignés avec les trous des supports du cadre.



2. Insérer les boulons dans les trous. Les boulons de carrosserie auront des têtes hexagonales qui auront besoin de correspondre sur le côté des poignées avec un modèle de trou en forme d'hexagone afin de les sécuriser.



3. Insérer les buses à connexion rapide de couleur, le pistolet et lance assemblé dans les espaces fournis.



4. Si besoin, fixer le boyau de siphonnage de détergent fourni à la patte en laiton sortant de la pompe près de la sortie à haute pression. (Ne pas fixer sur la patte de la soupape de décharge thermique en plastique noire.)
5. Assembler la lance et pistolet. La gâchette assemblée sera enfilée sur la lance. Serrer à la main seulement.

RACCORDS DES BOYAUX

- **RACCORDS À CONNEXION RAPIDE:** Tirer sur le collet du coupleur, insérer la prise et relâcher le collet. Tirer sur les raccords pour confirmer un verrouillage sécuritaire.
- **BUSES DE PULVÉRISATION:** Pour brancher une buse au bout d'une lance, tirer sur le collet du raccord en laiton. Insérer la buse et relâcher le collet. Tirer sur la buse pour confirmer que c'est sécurisé. Si c'est lousse, l'eau à haute pression va le lancer et pourrait causer des blessures ou dommage.

Votre laveuse à pression viendra avec plusieurs buses de couleur différentes pulvérisant de capacités différentes.

Buse 0° (Rouge)	Jet concentré pour décruster la boue ou la saleté incrustée. Utiliser avec précaution. (non inclus)
Buse 15° (Jaune)	Jet étroit agressif et mieux utilisé sur une surface dure pour enlever la saleté tenace.
Buse 25° (Verte)	Jet à usage général. Un peu plus large, mais encore assez agressif.
Buse 40° (Blanche)	WJet plus large pour plus grands endroits et surfaces plus douces.
Buse à Savon Noire	use à basse pression. Ceci est la seule buse qui peut être utilisé avec le système d'injecteur chimique.

1. Avant d'utiliser votre laveuse à pression, assurez-vous d'être familier avec toutes les avertissements et recommandations de sécurité.
2. Porter du linge approprié et des lunettes de protection.
3. Toujours installer l'appareil dans un endroit où:
 - 3.1 C'est une surface plate. Si l'appareil n'est pas de niveau, elle pourrait ne pas partir ou causer des défaillances.
 - 3.2 Il y a suffisamment de ventilation.
 - 3.3 Il n'y a pas de signe de fuites ou de gaz, incluant des vapeurs de gaz.
 - 3.4 L'appareil n'est pas exposée à la pluie, neige ou températures au point de congélation. Ces conditions difficiles peut mener à une défaillance de composante causant des blessures ou dommage.
4. S'assurer que les niveaux d'huile pour le moteur et la pompe sont correct.
 - 4.1 Utiliser de l'huile 10W30 pour remplir le moteur si besoin.
5. Inspecter d'un bout à l'autre la condition de l'appareil. Vous assurer qu'il n'y a pas de fuite d'huile, de gaz ou de pièces endommagées. Si vous détectez toutes fuites ou pièces endommagées NE PAS démarrer la laveuse à pression tant que ce n'est pas réparé.
6. Connect the high pressure hose to the pump and the lance and gun to the other end of the hose.
7. Brancher le boyau de jardin à la pompe.
 - 7.1 Assurez-vous que le filtre d'admission sur la pompe est présent. intacte et propre avant de brancher le boyau de jardin.

LA SOURCE D'EAU DOIT SUFFISAMMENT FOURNIR LA POMPE ADEQUATEMENT.

Toutes les laveuses à pression ont une évaluation de gallons par minute (GPM) litres par minute (LPM) qui doit être respecté. Si la pompe ne recoit pas assez d'eau, elle cavitera (avoir faim d'eau). Ceci causera des dommages internes et défaillances.

To measure your water source GPM, you will need a container that you know the exact size such as a 5-gallon. When you're ready, start filling it from your water source while timing it for one minute. The amount of water in the 5-gallon bucket after one minute is the GPM rating.

Pour mesurer le GPM de votre source d'eau, vous aurez besoin d'un récipient dont vous connaissez la taille exacte, par exemple un 5 gallons. Lorsque vous êtes prêt, commencez à le remplir à partir de votre source d'eau tout en le chronométrant pendant une minute. La quantité d'eau dans le seau de 5 gallons après une minute est le GPM.

La source d'eau GPM/LPM devrait dépasser le taux de GPM/LPM de l'appareil par un GPM/LPM pour tenir compte des fluctuations de la source d'eau. The water source should have 20 to 60 PSI/1.38 to 4.1 bar pressure going into the pump. Do not use a hose longer than 50 feet from the water source.

AMORCER LA POMPE AVEC DE L'EAU

Une fois tous les boyaux branché, allumé votre source d'eau et maintenez la gâchette du pistolet. Laisser le flux d'eau passer jusqu'à ce que les bulles d'air soient éliminées et qu'il y ai un flux constant d'eau sortant de la buse.

Insérer la buse de couleur que vous planifiez d'utiliser. Assurez-vous que la buse est propre sans blocages ou dommage.

1. Remplir le réservoir avec de l'essence. Utiliser du régulier sans plomb, 86 octane ou plus haut n'ayant pas plus de 10% de mélange à l'éthanol.
2. Ne pas trop remplir le réservoir à essence. Toujours laisser un espace pour permettre au réservoir de respirer et l'expansion du carburant.
3. Réglez à plein régime. Le levier sera complètement à GAUCHE sur tous les modèles.
4. Tournez le robinet de carburant sur la position MARCHÉ qui est complètement à DROITE.
5. Déplacez le levier de démarreur vers la GAUCHE.



6. Mettre l'interrupteur du moteur en position MARCHÉ.



7. D'une main, appuyez sur la gâchette du pistolet pulvérisateur pour que l'eau coule. Calez la laveuse haute pression avec votre pied. Avec l'autre main, saisissez la poignée de recul et tirez-la lentement jusqu'à ce que vous sentiez une résistance. Tirez vivement sur le recul. Vous devrez peut-être le tirer plusieurs fois avant qu'il ne commence à fonctionner.
8. Une fois que le moteur s'est réchauffé, désengagez le démarreur en déplaçant le levier de démarreur complètement à DROITE. S'il cale, il doit se réchauffer avant que le starter ne soit désactivé. Redémarrez le moteur, laissez-le se réchauffer, puis essayez à nouveau de désactiver le starter.

Remarque importante: la laveuse haute pression a été conçu pour fonctionner à plein régime. Si vous baissez les gaz, le rapport charge/puissance entre le moteur et la pompe sera incorrect. Cela entraînera une tension excessive sur le système lors du lavage sous pression, ce qui entraînera une usure plus rapide des pièces.

En situation normale, arrêtez le moteur:

1. Revoir tous les avertissements de sécurité au début de ce manuel.
2. Ralentir l'appareil.
3. Pendant que vous tenez la gâchette du pistolet, éteignez l'appareil. Si vous ne tenez pas la gâchette lorsque vous l'éteignez, la pression emprisonnée pourrait faire saisir les raccords du boyau et de la lance.
4. Tourner le robinet de carburant en position arrêt.

Arrêt d'Urgence: Mettre le moteur en position arrêt immédiatement. Ceci arrêtera le moteur sur-le-champs, mais pourrait emprisonner la pression dans le système, qui pourrait l'empêcher de redémarrer ou la possibilité de retirer le boyau du pistolet.

1. Arrêter la source d'eau et appuyez sur la gâchette encore pour relâcher la pression et l'eau avant de débrancher les boyaux.
2. Vidangez l'eau des boyaux avant d'entreposer.

**TECHNIQUES GÉNÉRALE D'OPÉRATION DE LAVEUSE PRESSION**

1. Toujours suivre les étapes de sécurité tel que décrit.
2. Toujours pulvériser à une distance sécuritaire de la surface ciblée et s'en approcher jusqu'à ce que l'effect de nettoyage désiré est observé.
3. Généralement, ne pas utiliser un jet ayant un angle de 90°. À la place, il est plus efficace d'utiliser un angle moins profond de sorte que la pulvérisation réfléchissant soit livré dans une direction sécuritaire et contrôlé.
4. Tenir la gâchette enfoncée, bouger la lance d'un côté à l'autre pour nettoyer la surface. Lorsque vous avez une idée du comportement des performances de nettoyage vous allez trouver votre rythme naturellement.
5. Soyez toujours conscient de ce que vous pulvérisez et prenez plus de précaution lors de nettoyage de surfaces plus fragiles tel que le bois ou vitre afin d'éviter des dommages.
6. Toujours se souvenir de presser la gâchette à tous les 30 secondes pour rincer la pompe avec de l'eau froide afin de prévenir le surchauffage.
7. Si vous devez arrêter de nettoyer pour plus de quelques minutes, vous devriez éteindre l'appareil.

COMMENT CONTRÔLER LA PRESSION

- La laveuse à pression est préréglée à la manufacture afin de livrer une performance optimale pour sa mise en place.
- Ne pas ajuster le déchargeur.
- Ajuster le déchargeur peut mener à des pannes, incluant une pauvre performance, interruption du moteur et briser des pièces internes de la pompe et du déchargeur.
- La principale méthode pour contrôler la pression est par la distance entre la buse et la surface. Toujours commencer éloigné de la surface et s'approcher lentement.
- L'angle de pulvérisation sur la surface influencera également la pression. Par exemple, arriver sur la surface avec un angle de 90° aura plus de force d'impact qu'un angle faible.
- La pression peut être aussi contrôlé par le genre de buse utilisé. Plus large est la pulvérisation, moins de pression impacte directement la surface.
- La pression peut être aussi diminuée en utilisant des buses avec une taille d'orifice plus large.
- Soyez prudent lorsque vous nettoyez des surfaces molles tel que le bois ou tout ce qui peut craquer ou casser, comme de la vitre ou peinture.

NETTOYAGE AVEC DES DÉTERGENTS

1. La buse noire doit être installée sur la lance du pistolet. C'est la seule buse qui aspirera du savon au travers le système de la laveuse à pression.
2. Le détergent utilisé doit avoir une mince viscosité (similaire à de l'eau).
3. Préparer le détergent dans un récipient près de la laveuse à pression.
4. Brancher le tube d'aspiration de détergent clair à la cannelure en laiton de la pompe de la laveuse à pression et mettre le reste avec le filtre dans le récipient à savon.
5. Mettre en marche la laveuse à pression et pulvériser l'eau. Vous serez en mesure de voir le détergent passer au travers du tube d'aspiration. Une fois que le détergent est pulvérisé hors de la buse, cela fera apparaître la mousse.
6. Lorsque vous utilisez le détergent, pulvériser la zone désirée et laisser le temps au savon à décruster chimiquement la saleté. Ensuite, rincer à l'eau avant que cela sèche.
7. Lorsque vous avez fini d'utiliser le détergent vous devez vidanger le système d'injecteur chimique afin de prévenir l'accumulation résiduelle de détergent. Pour rincer, submerger le tube d'aspiration de détergent dans un récipient d'eau claire et pulvériser pour au moins deux minutes tout en tirant l'eau claire à travers le système de savon.

Un entreposage inapproprié de la laveuse à pression mènera a des défaillances qui ne seront pas couvert par la garantie.

⚠ EAU - AVERTISSEMENT DE GEL

Laisser de l'eau dans la pompe et les accessoires peut causer des dommages si l'eau gèle. L'eau prendra de l'expansion et se changera en glace. La force résultante provoquera des ruptures et des fissures dans les raccords en laiton, soupapes et joints nécessitant un remplacement complet (non couvert par la garantie).

1. Lorsque l'appareil n'est pas utilisé, vidanger tous les boyaux et le pistolet assemblé.
2. Si l'appareil sera entreposé pour une longue période, ou s'il y a quelconque chances que la laveuse à pression soit exposée à des températures glaciales, alors la plomberie/ l'anti-gel de RV doit être recyclé à travers des voies d'eau des pompes.
3. Nous recommandons d'utiliser l'économiseur de pompe Anti-Gel BE Power Equipement. Il a un bouchon spécialement conçu pour visser sur le raccord du boyau de jardin sur la pompe. (Numéro de pièce 85.490.046, contactez votre détaillant local).
4. Pour se faire, assurez-vous tout d'abord que le moteur et le robinet de carburant sont en position ARRÊT.
5. Visser la bouteille sur le raccord du boyau de jardin de la pompe et ouvrir la vanne sur le bouchon. Tirer sur le recul pour faire circuler la solution antigel à travers de la pompe. Il est recommandé de presser la bouteille si besoin pour forcer l'antigel dans la pompe. Continuer jusqu'à ce que cela sorte du raccord du boyau à haute pression. ce point-ci, l'antigel protège toutes les chambres internes de la pompe.
6. La meilleur prévention contre le gel est d'entreposer la laveuse à pression dans un endroit chaud qui ne sera pas exposé à des températures glaciales.

⚠ AVERTISSEMENT SYSTÈME DE CARBURANT POUR MOTEUR À ESSENCE

Au fil du temps, le carburant se dégrade et laissera des résidues solides s'il sèche dans votre système. Cela va obstruer le système de carburant et entrainera un échec de démarrage de l'appareil (non couvert par la garantie).

1. Le carburant se dégrade plus vite s'il est exposé à l'air, et plus le pourcentage de mélange d'éthanol est élevé.
2. Un stabilisateur d'essence est fortement recommandé pour ralentir le processus de dégradation du carburant. La meilleure pratique consiste à mélanger le stabilisateur d'essence dans le récipient d'entreposage.
3. Si l'appareil ne sera pas utilisé dans les 30 prochains jours, alors vidanger toute l'essence du réservoir et du carburateur.
 - 3.1 Utiliser du stabiliseur d'essence dans le réservoir pour mélanger avec le carburant.
 - 3.2 Pour vidanger l'essence, ayez un récipient prêt à recevoir le carburant.
 - 3.3 Utiliser une clé anglaise pour desserrer le boulon au bas du carburateur et laisser toute l'essence se vider dans le récipient. Lorsque c'est fini, resserrer le boulon. Le stabilisateur d'essence qui a été mis dans le réservoir plus tôt préviendra tout résidue d'essence à sécher en solide résidue.
 - 3.4 Ouvrir le robinet de carburant du moteur.
 - 3.5 Afin de prévenir la perte d'essence, vous pouvez le mettre dans n'importe quel véhicule utilisant le même type d'essence.
 - 3.6 Lorsque vous entreposer de l'essence. Toujours utiliser un contenant hermétique et du stabilisateur d'essence pour de meilleurs résultats. La meilleure pratique est d'entreposer l'essence pas plus d'un an avant de l'utiliser à nouveau.

En général, couvrir la laveuse à pression et la ranger dans un endroit propre et sec.

MOTEUR ESSENCE

Référez-vous au manuel du moteur qui vient avec votre laveuse à pression pour les détails. Vérifier régulièrement:

1. Niveau d'huile et condition
2. Filtre à air
3. Bougie d'allumage
4. Surveillez les fuites

PROGRAMME D'ENTRETIEN DU MOTEUR		
Huile à Moteur	Vérifier	À Chaque Utilisation
	Remplacer	Après le premier 20 heures d'opération. Après toute les 100 heures par la suite. L'inspection montre que l'huile est sale.
Filtre à Air	Vérifier	À Chaque Utilisation
	Remplacer	Lorsque Sale ou Endommagé
Conduites à Essence	Vérifier	À Chaque Utilisation
	Remplacer	Lorsqu'endommagé/fuite de carburant
Filtre de Bouchon d'Essence	Vérifier	À Chaque Utilisation
	Remplacer	Lorsque incapable de nettoyer ou si endommagé.
Pare-Étincelles (Si Applicable)	Vérifier	Toutes les 25 heures.
	Remplacer	Lorsque incapable de nettoyer ou si endommagé.
Bougie d'Allumage	Vérifier	Toutes les 100 heures.
	Remplacer	Lorsque incapable de nettoyer ou ajuster
Jeu de Soupapes	Vérifier	Toutes les 300 heures.*
Régime de RPM	Vérifier	Toutes les 300 heures.*
*Faire réparer dans un centre de service autorisé.		

ENTRETIEN DE LA POMPE

Cette laveuse haute pression est livrée avec une pompe étanche. Vous n'aurez pas besoin de vérifier ou de remplacer l'huile.

FILTRE D'ENTRÉE D'EAU

1. Vérifier avant chaque utilisation
2. Rincer lorsque sale
3. Remplacer lorsqu'endommagé ou ayant une fuite

Raccords: Vérifier pour fuites ou dommages. Remplacé les pièces au besoin.

DIAGNOSTIQUE DU MOTEUR À GAZ		
PROBLÈME	RAISON	SOLUTION
Le moteur tourne mais ne démarre pas (le recul peut être tiré normalement)	Pas d'Essence	Remplir avec de l'essence régulier sans plomb
	L'essence est vicié ou contaminé.	Retirer la vieille essence, remplacé par de la fraîche. Pourrait avoir besoin de nettoyer le système de carburant.
	Huile Basse	Remplir avec de l'huile à moteur 10W30
	Le moteur est éteint.	Tourner à la position MARCHE.
	Réglage bas du RPM.	Tourner la manette de gaz a fond RPM (Lapin).
	Démarrateur non enclenché.	Allumer le démarreur.
	Le robinet de carburant est fermé.	Ouvrir le robinet d'essence.
	Le filtre à air est trop sale.	Le nettoyer ou le remplacer
	Le réservoir est trop plein et ne peut respirer.	Vidanger un peu d'essence pour lui permettre de s'expansionner.
	De l'huile dans le carburateur.	Retirer le boulon au bas du carburateur et vidanger avec l'essence.
	Le déchargeur est trop serré.	Retirer du carburant.
Incapable de tirer sur le recul (recul semble saisi)	Essence dans le carter du moteur	Le carburateur est branché. Besoin de nettoyer le carburateur et le moteur.
	Pression emprisonnée dans la pompe.	Presser la gâchette du pistolet pour relâcher de la pression.
	Huile dans le Filtre à Air	Retirer et remplacer le filtre à air. Nettoyer l'excédant d'huile.
	Huile dans le cylindre de la bougie d'allumage.	Retirer et nettoyer la bougie d'allumage. Vider l'huile du cylindre.
Le moteur marche et s'arrête	Le déchargeur est trop serré.	Desserrer le déchargeur.
	Pas d'essence.	Remplir avec de l'essence régulier sans plomb.
	Huile Basse.	Remplir avec de l'Huile à moteur 10W30.
	Le bouchon, ou le tube de reniflard ne respire pas (ou applicable)	Desserrer le bouchon à essence et si l'appareil marche, alors nettoyer ou remplacer le bouchon à essence/ soupape.

DIAGNOSTIQUER

Le moteur marche et puis s'arrête	L'essence est vicié ou contaminé.	Vidanger la vieille essence, la remplacer par de l'essence fraîche. Pourrais avoir besoin de nettoyer le robinet de carburant, le carburateur ou les filtres.
	Fuite d'essence.	Vérifier les fuites et réparer.
Fonctionnement cahoteux/ son étrange	Le démarreur est toujours enclenché.	Éteindre le démarreur.
	Le moteur n'est pas à plein régime.	Allumer le moteur à plein régime (lapin).
	Le Filtre à Air est sale.	Vérifier le filtre à air, changer au besoin.
	Pot d'échappement bouché ou pare-étincelles.	Nettoyer ou remplacer au besoin.

DIAGNOSTIQUE D'ANOMALIES DE LA POMPE

Pas d'eau passant dans la pompe (sans boyau/ pistolet branché)	Pas de source d'eau branché.	Brancher le boyau de jardin à la pompe.
	La source d'eau est bloqué.	S'assurer que l'eau coule à travers le boyau sans obstruction.
	filtre d'admission bouché.	Nettoyer ou changer le filtre d'admission.
Pression d'eau basse	Faible pression d'entrée d'eau.	S'assurer que le débit d'entrée GPM/ LPM est suffisant pour la laveuse à pression.
	Bloquer partiellement le débit d'eau.	S'assurer que le débit d'eau coule à travers tous les tuyaux et raccords.
	Problème de buse de pistolet.	S'assurer que la buse est propre et de bonne taille.
	Défaillance du pistolet.	Le pistolet fuit ou est bloqué, pourrait avoir besoin d'être changé.
	Fuites d'eau dans le système.	Localiser la fuite d'eau, la réparer ou la changer.
	Le déchargeur n'est pas bien ajusté.	Resserrer le déchargeur.
L'eau ne se rendant pas au pistolet	Le boyau à pression n'est pas branché à la pompe.	Brancher à la pompe.
	Obstruction du boyau.	Vérifier s'il y a de l'eau dans le boyau. Nettoyer ou remplacer.
	Défaillance du pistolet.	Pourrais avoir besoin de changer le pistolet, spécialement s'il fuit.
	Buse de pulvérisation bloquée.	Nettoyer ou remplacer la buse.
Variation de pression	Filtre d'admission partiellement bouché.	Débrancher le boyau de jardin, s'assurer que le filtre est en place et propre.
	Source d'eau inconsistante.	S'assurer que le débit d'eau par minute est suffisant pour la laveuse à pression.

Variation de la pression	Clapet anti-retour blouché.	Besoin de nettoyer ou remplacer les clapets. Nous recommandons d'appeler un centre de service.
	Défaillance du pistolet.	Défaillance de la gâchette, saisi par intermittence. Aurais besoin d'être nettoyé ou remplacer.
	Soupapes ou/et joints usés dans la tête de la pompe.	Besoin de remplacer les joints. Nous recommandons d'appeler un centre de service.
Soupape thermique qui fuit.	L'appareil a surchauffé.	Besoin de remplacer la soupape thermique.
Eau dans l'huile. L'huile à pompe a une couleur laiteuse)	L'appareil a surchauffé et est en choc thermique.	Appeler un centre de service, pourrais nécessité une pompe de remplacement.

DIAGNOSTIQUE DES ANOMALIES DU SYSTÈME DE DÉTERGENT

Ne pulvérise pas de détergent	La buse de pulvérisation noire n'est pas utilisé.	Seulement la buse noire fonctionnera avec le système de détergent.
	Buse noire obstruée ou endommagée.	Nettoyer ou remplacer au besoin. L'orifice ne doit pas être obstrué.
	Le tube d'aspiration de détergent n'est pas dans la solution.	S'assurer que le récipient pour le détergent est plein et que le tube d'aspiration est profondément immergé.
	Le tube d'aspiration n'est pas attaché à la cannelure en laiton.	S'assurer que le tube d'aspiration est attaché à l'injecteur cannelure en laiton (pas la cannelure noire en plastique).
	Le tube d'aspiration de détergent a été prolongé.	Si le tube d'aspiration est trop long, il ne fonctionnera plus. Utiliser le tube d'aspiration avec sa longueur originale.
	Détergent trop épais.	Solution mince. La viscosité se doit d'être similaire à de l'eau.
	Le roulement à billes dans l'injecteur de détergent est coincé.	Retirer avec précaution l'injecteur en laiton. Nettoyer tous les roulement à billes, ressorts et laiton afin de s'assurer que les pièces bougent librement.

GARANTIE



BE Power Equipment Inc. garantie à l'acheteur d'origine que cette laveuse à pression est exempt de défauts de matériaux et de fabrication pour la période indiquée ci-dessous. Si des défauts sont trouvés dans les produits BE Power Equipment dans les limites décrites dans cette déclaration de garantie, BE Power Equipment réparera ou remplacera le produit sans frais à sa discrétion.

La couverture de garantie commence à la date d'achat du consommateur. Une preuve de garantie doit être présentée avec la réclamation de garantie.

- | | |
|----------------------|---------------------------------|
| • Moteurs POWEREASE: | 2 Ans / 5 Ans après inscription |
| • Pompes Axial: | 1 An |
| • Accessoires: | 90 Jours |
| • Châssis: | À vie |

Cette garantie est limitée aux défauts qui arrivent lors d'une utilisation régulière. Cette garantie ne couvre pas les défaillances causé par un manque d'entretien, négligence, abus ou usage impropre. Incluant, mais pas limitée à, dommage dues au gel, altérations, détérioration chimique, accumulation de résidue, rouille, corrosion, choque thermique, expansion thermique, dommage due au transport, changement d'huile, ajustements de soupapes, entretien du système de carburant ou utilisation de mauvaises pièces. De plus, utiliser le mauvais carburant, eau et mauvaise source d'alimentation sont considéré comme une forme d'usage impropre.

Cette garantie ne couvre pas également l'usure normal tel que joints torique, soupapes, joints, filtres, bougies d'allumage ou emballage.

BE Power Equipment décline expressément toute responsabilité en cas de dommages corporels, matériels ou dommages accidentels, perte de location, couts de transport ou dommages conséquentiels. C'est la responsabilité de l'acheteur de s'assurer une bonne installation et application du produit acheté.

LA GARANTIE CONTENUE DANS LA PRÉSENTE REMPLACE TOUTE AUTRE GARANTIES, EXPRESS OU IMPLICITE, Y COMPRIS UNE GARANTIE IMPLICITE OU APTITUDE A UN USAGE PARTICULIERE. BE Power Equipment n'autorise aucun de ses détaillants, centres de service, agents, employés ou tout autre partie d'extentionner ou modifié la portée de cette garantie d'aucune façon au nom de BE Power Equipment.

Pour obtenir la garantie, le demandeur doit apporter le produit, avec la copie d'achat originale, dans un centre de service autorisé BE Power Equipment. Ces centres de services se trouvent sur notre site web:

Si vous ne pouvez résoudre la réclamation de garantie de manière satisfaisante, contacter le département de BE Power Equipment (1 866 850 6662). Soyez préparé avec les détails de ou des défaillances, preuve d'achat, modèle et le numéro de série de la laveuse à pression.



BE POWER EQUIPMENT

NE RENVOYEZ PAS CE PRODUIT AU MAGASIN

**CONTACTEZ NOTRE SERVICE CLIENTÈLE,
SI VOUS AVEZ BESOIN D'UNE ASSISTANCE
TECHNIQUE,**

1-866-850-6662

(8:00am - 4:30pm PST, Mon - Fri)

BEPOWEREQUIPMENT

.COM

BE POWER EQUIPMENT



DE LA LAVADORA A PRESIÓN
MANUAL
DEL OPERADOR

BEPOWEREQUIPMENT

.COM



TABLA DE CONTENIDO

INTRODUCCIÓN	4
RESUMEN DE SEGURIDAD	5
SISTEMA DE ENFRIAMIENTO DE LA LAVADORA A PRESIÓN	9
TIPOS DE COMBUSTIBLE Y ACEITE	10
DIAGRAMA DE COMPONENTES	11
MONTAJE	12
PREOPERACIÓN	14
PROCEDIMIENTO DE INICIO	15
PROCEDIMIENTO DE PARADA	16
CÓMO CONTROLAR LA PRESIÓN	17
LIMPIEZA CON DETERGENTES	17
ALMACENAMIENTO	18
MANTENIMIENTO	19
SOLUCIÓN DE PROBLEMAS	20
GARANTÍA	23

Felicitaciones por la compra de una limpiadora a presión BE Power Equipment. Puede estar seguro de que esta hidrolimpiadora a presión está construida y probada teniendo en cuenta un rendimiento y una calidad óptimos.

La lectura de este manual le ayudará a obtener los mejores resultados para la configuración, operación, mantenimiento y evitar lesiones personales o daños a su máquina. Al saber cuál es la mejor manera de operar esta máquina, estará mejor posicionado para mostrar a otros que también pueden operar la unidad.

Toda la información de este manual se basa en la información más reciente del producto disponible en el momento de la impresión. BE Power Equipment se reserva el derecho de realizar cambios en cualquier momento sin previo aviso ni incurrir en ninguna obligación.

Responsabilidad del propietario / operador

El propietario / operador debe tener un conocimiento profundo del funcionamiento, el mantenimiento y los peligros asociados con el uso de esta máquina. Debe entenderse que, en última instancia, depende del propietario / operador utilizar de forma segura esta máquina como se describe en este manual.

Este manual se considera parte de la máquina y debe guardarse en un lugar seguro. Si la máquina se revende o se entrega a otra persona, es necesario incluir este manual.

Registro de garantía del producto

Debe registrar su producto en nuestro sitio web para obtener la garantía. Visite nuestro sitio web en este enlace y complete toda la información requerida. <https://www.bepowerequipment.com/product-registration>



Registre los números de identificación

Se recomienda que registre los números de identificación del producto en este manual. Es importante tener estos números a mano si necesita comunicarse con el soporte técnico (**1-866-850-6662**). El modelo y el número de serie se pueden encontrar en la caja y en la calcomanía de la máquina.

IDENTIFICACIÓN DE PRODUCTO

Número de modelo: _____

Número de serie: _____

Fecha de compra: _____

Nombre del comerciante: _____

RESUMEN DE SEGURIDAD

GUARDE ESTAS INSTRUCCIONES - REGLAS DE SEGURIDAD



Éste es el símbolo de alerta de seguridad. Se utiliza para alertarlo sobre posibles peligros de lesiones personales. Obedezca todos los mensajes de seguridad que siguen a este símbolo para evitar posibles lesiones o la muerte.

El símbolo de alerta de seguridad () se utiliza con una palabra de señalización (**PELIGRO, PRECAUCIÓN, ADVERTENCIA**), una imagen y un mensaje de seguridad para alertarlo sobre peligros.

PELIGRO indica un peligro que, si no se evita, provocará la muerte o lesiones graves.

ADVERTENCIA indica un peligro que, si no se evita, podría provocar la muerte o lesiones graves.

PRECAUCIÓN indica un peligro que, si no se evita, podría provocar lesiones leves o moderadas.

AVISO indica una situación que podría resultar en daños al equipo o a la propiedad.

INSTRUCCIONES DE SEGURIDAD IMPORTANTES - GUARDELAS

ADVERTENCIA - al usar este producto, siempre se deben observar y cumplir las siguientes precauciones.

1. Lea todas las instrucciones antes de usar el producto.
2. Para reducir el riesgo de lesiones, es necesaria una estrecha supervisión cuando se utiliza un producto cerca de niños.
3. Sepa cómo detener el producto y purgar las presiones rápidamente. Familiarícese completamente con los controles.
4. Manténgase alerta. Cuidado con lo que está haciendo.
5. No utilice el producto si está fatigado o bajo la influencia del alcohol o las drogas.
6. Mantenga el área de operación libre de otras personas.
7. No se estire demasiado ni se pare sobre un soporte inestable. En cambio, manténgase sólido
8. apoyo y equilibrio en todo momento.
9. Siga las instrucciones de mantenimiento especificadas en el manual.

ADVERTENCIAS IMPORTANTES

El incumplimiento de las advertencias anulará la garantía o provocará lesiones.

1. No permita que la hidrolimpiadora se sobrecaliente. El exceso de calor causará daños graves (consulte la página 10 para obtener más detalles).
2. Nunca haga funcionar la unidad sin agua. Hacer funcionar la bomba en seco hará que falle rápidamente.
3. No deje que la unidad se congele. El agua congelada en la bomba causará daños graves.
4. Utilice siempre protección para los ojos cuando utilice la unidad.
5. El aerosol a alta presión puede causar lesiones corporales graves o daños al material blando. Úselo con precaución.
6. Nunca ajuste el descargador para exceder la presión preestablecida. Puede ocurrir desgaste prematuro, fallas del equipo o lesiones.

SEGURIDAD PERSONAL

⚠️ ADVERTENCIA - use siempre el equipo de protección personal correcto porque el rociador de alta presión puede lanzar escombros a alta velocidad creando un riesgo de lesiones o daños.

- **SIEMPRE** use gafas de seguridad para protegerse los ojos. Se recomiendan otros equipos de protección como protección auditiva, botas con punta de acero, ropa de seguridad, guantes de trabajo y careta.
- **NUNCA** lave a presión sin protección para los pies cerrados en caso de rociado accidental.
- **SIEMPRE** esté consciente de hacia dónde apunta la pistola rociadora y de su entorno.
- **NUNCA** apunte a personas o animales.
- **NO** permita que niños o personas no calificadas operen esta máquina.
- **NO** utilice la máquina cuando esté fatigado o bajo la influencia del alcohol o las drogas.

SEGURIDAD GENERAL DE LA LAVADORA A PRESIÓN

⚠️ PELIGRO - Pulverizador de alta presión

- **NUNCA** apunte con el arma a usted mismo, a nadie más ni a animales. El chorro de agua a alta presión puede atravesar la ropa, la piel y los tejidos subyacentes y provocar lesiones graves.
- Si ocurre este tipo de lesión, **NO LO TRATE COMO UN CORTE SIMPLE. BUSQUE ATENCIÓN MÉDICA DE EMERGENCIA INMEDIATAMENTE.** Si está usando detergentes de limpieza, esté preparado para decirle al médico exactamente de qué tipo.
- Las pistolas rociadoras pueden generar un retroceso significativo. **SIEMPRE** prepárese y tenga una base firme cuando opere.
- **NUNCA** intente reparar la manguera, los accesorios o la pistola de alta presión. Siempre reemplace las piezas si tienen fugas o están dañadas.
- **NUNCA** pase por alto el conjunto del gatillo. Ésta es una característica de seguridad importante del sistema.
- **NUNCA** deje una máquina en funcionamiento sin vigilancia.
- Tenga **PRECAUCIÓN** incluso cuando la máquina esté apagada. La presión puede quedar atrapada en el conjunto de la bomba y la manguera y aún así causar lesiones o daños. Después de apagar la máquina, apriete siempre el gatillo para liberar cualquier presión atrapada.
- **SIEMPRE** asegúrese de que todas las conexiones y accesorios de los componentes estén bien sujetos. El agua a alta presión puede convertir los accesorios sueltos o las boquillas de pulverización en proyectiles y causar lesiones o daños.
- **NUNCA** mire directamente a la pistola o la manguera de alta presión.
- **NUNCA** coloque su mano frente a la boquilla de rociado para probar la presión.

⚠️ PELIGRO - ELECTROCUCIÓN

- **NUNCA** rocíe cerca de una fuente de energía eléctrica o cables.
- **NUNCA** permita que el agua de escorrentía se acumule y fluya hacia fuentes de energía o cables.

⚠️ ADVERTENCIA: SEGURIDAD GENERAL

- **ÚNICAMENTE** use agua fría para alimentar la máquina. A menos que se le indique específicamente que la máquina puede usar agua caliente.
 - Revise el área de trabajo para asegurarse de que esté libre de peligros y escombros que puedan ser arrojados por el rocío a presión y causar lesiones o daños.
 - **SIEMPRE** esté atento a las superficies que se mojarán y pueden volverse resbaladizas.
 - **SIEMPRE** tenga un agarre seguro del arma y una base estable.
 - Asegúrese **SIEMPRE** de un drenaje adecuado para evitar que el agua se inunde en áreas no deseadas.
-

RESUMEN DE SEGURIDAD

- **NUNCA** opere maquinaria que esté dañada o falten componentes.
- **NUNCA** modifique la máquina de ninguna manera.
- **NO** mueva la máquina tirando de las mangueras o cables. En su lugar, use la manija en el marco para mover la máquina cuando sea necesario.
- Tenga **PRECAUCIÓN** al rociar materiales blandos como plantas o madera porque el rociado de alta presión puede dañarlos rápidamente.
- tenga **PRECAUCIÓN** al rociar materiales quebradizos como el vidrio, que pueden romperse y crear proyectiles peligrosos.
- Utilice solo los accesorios recomendados. **NO** fuerce ni modifique las piezas para que encajen.
- **SIEMPRE** apague el motor y desconecte la bujía para cualquier procedimiento de mantenimiento.
- **NUNCA** intente dar mantenimiento a la máquina mientras está en funcionamiento. Las piezas móviles y la presión pueden provocar lesiones graves.
- Mantenga la máquina alejada de la lluvia y los elementos.
- **SIEMPRE** opere la máquina en una superficie nivelada. Puede agarrotarse si se opera en ángulo.

⚠ ADVERTENCIA – DETERGENTES / JABONES QUÍMICOS

- **SIEMPRE** use detergentes específicamente diseñados para lavadoras a presión.
- **NUNCA** use soluciones inflamables, corrosivas o ácidas.
- **NUNCA** modifique el sistema de inyección de químicos.
- **SIEMPRE** enjuague el sistema después de usar un detergente. Haga funcionar la máquina durante al menos dos minutos con agua limpia para evitar que el detergente se seque y acumule residuos. Si se acumulan residuos, es posible que falle el sistema del inyector de productos químicos.
- **SIEMPRE ESTÉ PREPARADO** para una emergencia que involucre detergentes. Sepa exactamente qué contiene el detergente. Si ocurre una emergencia y un médico necesita esta información, las Hojas de datos de seguridad (SDS) están disponibles y deben ser fácilmente accesibles.
- **SIEMPRE** mantenga los detergentes fuera del alcance de los niños y los animales.
- Tenga disponible un kit de lavado de ojos en caso de emergencia.

SEGURIDAD DEL MOTOR DE GAS

Si su hidrolimpiadora tiene un motor de gasolina, el motor tendrá su propio manual. Revise y comprenda detenidamente el manual del motor.

⚠ PELIGRO - HUMOS TÓXICOS

- **SIEMPRE** opere la máquina al aire libre en espacios bien ventilados.
- Las emisiones del motor incluyen el monóxido de carbono, un gas venenoso. Es un gas incoloro e inodoro que desplazará el oxígeno y será letal en concentraciones suficientemente altas.
- Los síntomas de la intoxicación por monóxido de carbono incluyen dolor de cabeza, fatiga, mareos, náuseas, confusión, vómitos y convulsiones. Si el envenenamiento continúa, se producirá la pérdida del conocimiento y la muerte.
- A la primera señal de cualquier síntoma, apague **INMEDIATAMENTE** la máquina y muévase a un área bien ventilada y busque atención médica.
- El monóxido de carbono es más pesado que el aire atmosférico y primero llenará los espacios bajos. Tenga **EXTREMA PRECAUCIÓN** cuando se opera en espacios bajos como trincheras, túneles o zanjas.
- Nunca coloque la máquina donde los gases de escape puedan pasar a través de ventanas, puertas, ventilación u otros puntos de acceso que conduzcan al interior o áreas confinadas.
- **NUNCA** use un respirador como protección contra el monóxido de carbono. La **ÚNICA** protección en la que se puede confiar es en un sistema de suministro de aire fresco de presión positiva, como un sistema SCUBA.

⚠ PELIGRO - EXPLOSIONES E INCENDIOS RELACIONADOS CON EL COMBUSTIBLE

- El combustible y sus vapores son altamente inflamables y explosivos.
- El fuego y la explosión pueden causar quemaduras graves y la muerte.
- **NUNCA** llene el tanque de combustible mientras la unidad está funcionando.
- **SIEMPRE** apague el motor y déjelo enfriar por lo menos dos minutos antes de quitar la tapa de combustible. Afloje la tapa de combustible lentamente para aliviar la presión del tanque.
- **SIEMPRE** llene o drene el tanque de combustible al aire libre.
- **NO** llene demasiado el tanque. Deje un espacio de aire en el cuello del tanque de combustible para permitir que respire y para la expansión del combustible.
- **NUNCA** tenga chispas o llamas cerca del combustible, incluidos cigarrillos, llamas abiertas, luces piloto y otras fuentes de ignición.
- Si se derrama combustible, espere hasta que se evapore por completo. Mueva la unidad a una nueva ubicación, luego espere al menos dos minutos antes de arrancar el motor.
- **NUNCA** arranque el motor sin la bujía y aún en el maletero.
- Al transportar o almacenar la unidad, drene el tanque de combustible y el carburador y almacene el combustible en un recipiente hermético. Luego, mueva la válvula de combustible a la posición cerrada.
- Nunca almacene combustible cerca de ninguna fuente de ignición o superficie caliente.

⚠ PRECAUCIÓN - SUPERFICIES CALIENTES

- El silenciador del motor se calentará rápidamente y puede causar quemaduras graves si se toca.
- El escape del silenciador estará caliente y puede causar quemaduras a personas y objetos.
- Mantenga los materiales inflamables alejados del silenciador.
- Mantenga al menos un espacio libre de cinco pies del escape para evitar dañar otras superficies, como revestimientos de casas y vehículos.
- La bomba también se calienta durante el funcionamiento y debe evitarse.
- Después de que se haya encendido la lavadora a presión, **NO** toque ninguna parte de la lavadora a presión que no sea el interruptor de encendido / apagado, la manija, la manguera y la pistola.

⚠ PRECAUCIÓN - RETROCESO DEL ARRANQUE RETRÁCTIL

- El contragolpe de la cuerda de arranque (retracción rápida) puede provocar lesiones corporales.
- El contragolpe puede hacer que la mano y el brazo retrocedan hacia el motor más rápido de lo que puede soltarlo y provocar esguinces, cortes, hematomas y fracturas de huesos.
- **NUNCA** tire del cable de arranque sin antes aliviar la presión de la pistola rociadora.
- Al arrancar un motor, la mejor práctica es apretar el gatillo para evitar que se acumule presión en el sistema.
- Tire del cable de arranque hasta que sienta resistencia. Deje que el cable se retraiga y luego tire del motor de arranque para evitar contragolpes y lesiones.

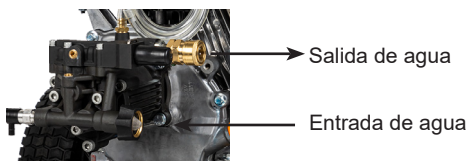
NO SOBRECALIENTE SU MÁQUINA

No permita que su máquina se sobrecaliente. El no hacerlo resultará en daños, anulará la garantía o provocará lesiones.

Los motores de gas están refrigerados por aire. Asegúrese siempre de que la máquina se utilice en un área bien ventilada donde pueda extraer un suministro constante de aire fresco. Si el motor se sobrecalienta, puede apagarse, quemar aceite rápidamente y provocar la falla de los componentes. Las flechas a continuación muestran un ejemplo de ubicaciones para la entrada de aire en un motor.



Las bombas se enfrían en la parte delantera haciendo correr agua fresca hacia la bomba y luego rociar fuera de la varilla de la pistola. Para mantener el flujo de agua, mantenga presionado el gatillo de la pistola para seguir rociando agua. No deje que la máquina funcione durante más de 30 segundos sin presionar el gatillo. Si se deja que la bomba se sobrecaliente (sin rociar agua), puede experimentar un choque térmico cuando se introduce agua fría en el sistema una vez que se rocía agua nuevamente. Este choque térmico puede resultar en fallas de múltiples componentes.



Bomba axial

La mayoría de las bombas están protegidas por una válvula térmica. La válvula térmica libera agua si una bomba comienza a funcionar demasiado caliente. Evitará fallas catastróficas por calor. Sin embargo, es posible que la bomba haya sufrido daños y necesite mantenimiento, reparación o reemplazo. La válvula térmica deberá reemplazarse una vez que se active.

Gotea agua para evitar el sobrecalentamiento



TIPO DE COMBUSTIBLE DEL MOTOR

Use solo gasolina regular sin plomo de 86 octanos o más. El mejor combustible para usar tendrá una mezcla de etanol al 0%. Sin embargo, el motor puede utilizar un combustible con una mezcla de etanol de hasta un 10%.

TIPO DE ACEITE DEL MOTOR

Utilice únicamente aceite de motor SAE 10W30 para el motor. Para comprobar el aceite, desenrosque la varilla del motor. Luego, limpie el aceite con un trapo limpio y vuelva a sumergirlo en el motor. El aceite debe estar bien dentro de las marcas de nivel de aceite.

Nota * el motor tendrá dos tapas de aceite. Solo uno tendrá una varilla de nivel.

TIPO DE MOTOR	CAPACIDAD DEL TANQUE DE COMBUSTIBLE	CAPACIDAD DE ACEITE
Powerease 225	3.6 L / 0.95 US Gal	0.6 L / 0.63 US qt

ACEITE PARA BOMBAS

Esta hidrolimpiadora viene con una bomba sellada. No necesitará comprobar ni sustituir el aceite.

ATENCIÓN

Esta lavadora a presión NO viene con aceite en el motor.

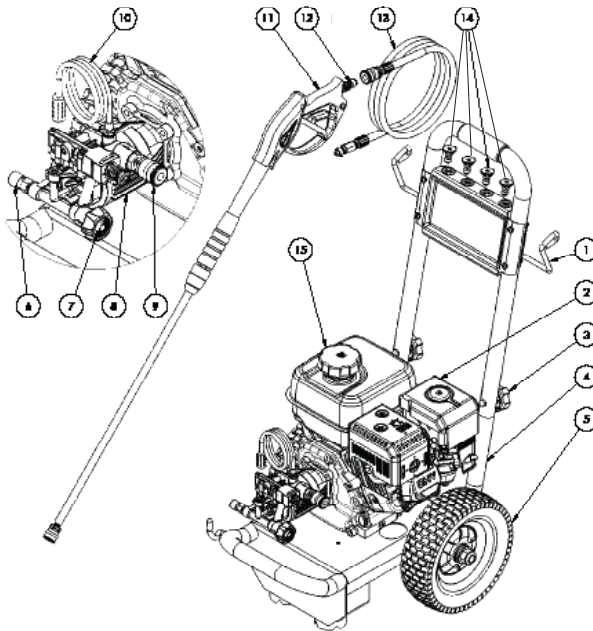
NO arrancará hasta que se haya añadido la cantidad adecuada de aceite.

Con esta hidrolimpiadora se incluye una botella de aceite. Para llenar el motor con aceite, siga estos pasos.

1	Retire el tapón del aceite que tiene la varilla de medición.
2	Retire el tapón y el sello de la botella de aceite.
3	Utilice el embudo suministrado para verter el aceite en el motor.
4	El nivel de aceite deberá ser lo suficientemente alto como para ser visible a mitad de camino en la varilla de medición de aceite.
5	Una vez lleno, vuelva a colocar el tapón de aceite en el motor y asegúrelo.
6	Vuelva a poner el tapón en la botella de aceite y, si está vacía, deséchela según las normas locales.

DIAGRA DE COMPONENTES

Su hidrolimpiadora puede diferir del modelo mostrado.



1. Gancho para el depósito de combustible: Se conecta a la palanca de la pistola pulverizadora para ayudar a reducir la presión o la varilla de la pistola pulverizadora.
2. Conjunto del filtro de aire: Limpia el aire que entra en el motor.
3. Tuerca y perno del bastidor: Asegura el mango del bastidor a la parte inferior del mismo.
4. Bastidor de acero con recubrimiento de polvo: La construcción duradera ayuda a reducir las vibraciones.
5. Ruedas de alta resistencia, no planas: Capaz de atravesar terrenos difíciles.
6. Válvula de alivio térmico: Libera agua cuando la bomba se sobrecalienta. (Véase la página 9 para más detalles).
7. Entrada de la bomba: Accesorio de conexión para la manguera de jardín.
8. Bomba axial: Desarrolla alta presión. La manguera de jardín se conecta a la entrada y la manguera de alta presión se conecta a la salida.
9. Salida de la bomba: Racor de conexión rápida para la manguera de alta presión.
10. Manguera de sifón de detergente: Se utiliza para arrastrar el detergente hacia el chorro cuando se utiliza la boquilla de pulverización negra. (Véase la página 17 para más detalles).
11. Conjunto de la varilla de la pistola pulverizadora: Se utiliza para controlar el flujo de agua cuando se pulveriza.
12. Conexión rápida de la pistola pulverizadora: Conecta la varilla de la pistola pulverizadora a la manguera de alta presión.
13. Manguera de alta presión: Se conecta a la salida de la bomba y al conjunto de varilla de la pistola.
14. Boquillas de pulverización: 15°, 25°, 40° y Soaper, se conectan al extremo de la varilla de la pistola de pulverización para diversas aplicaciones de limpieza.
15. Tapa del depósito de combustible: Se retira para llenar el depósito con gasolina. Utilice sólo gasolina fresca con no menos de 86 octanos y hasta un 10% de mezcla de etanol.

Su hidrolimpiadora requerirá un poco de ensamblaje. Si tiene algún problema con este proceso, llame a nuestro departamento de soporte técnico (1-866-850-6662) con su número de modelo.

Desempaque su hidrolimpiadora

- Retire todos los componentes, incluidas las bolsas y los manuales.
- Inspeccione los componentes para asegurarse de que no haya daños visibles

COLOQUE LA MANIJA

1. Retire los revestimientos de plástico que pueda haber en el mango. Deslice el conjunto del mango del bastidor (A) en los postes de la lavadora a presión (B). Asegúrese de que los agujeros del mango se alineen con los agujeros de los soportes del bastidor.



2. Inserte los pernos a través de los agujeros. Los pernos tendrán cabezas hexagonales que deben coincidir con los lados de las asas con un patrón de agujeros en forma de hexágono para ayudar a asegurarlos. Enrosque los sujetadores de plástico y apriételos a mano



3. Inserte las boquillas rociadoras de conexión rápida de colores, la manguera de alta presión y el conjunto de la varilla de la pistola en los espacios provistos.



4. Si es necesario, conecte la manguera de succión de detergente proporcionada a la lengüeta de latón que sale de la bomba cerca de la salida de alta presión. (No lo conecte a la lengüeta de la válvula de alivio térmico de plástico negro).
5. Ensamble la varilla de la pistola. El conjunto del gatillo se enroscará en la varilla. Apriete a mano solamente.

MONTAJE

CONEXIONES DE MANGUERA

- **Accesorios de conexión rápida:** tire hacia atrás del collar del acoplador, inserte el tapón y suelte el collar. Tire de los accesorios para confirmar un bloqueo seguro.
- **Boquillas de pulverización:** para colocar una boquilla de pulverización en el extremo de la varilla, tire hacia atrás del collar del accesorio de latón. Inserte la boquilla de pulverización y suelte el collar. Tire de la boquilla para asegurarse de que esté segura. Si está suelto, el agua a alta presión lo lanzará y puede causar lesiones o daños.

Su hidrolimpiadora vendrá con varias boquillas de rociado de colores que tendrán diferentes patrones y capacidades de rociado.

Boquilla 0° (Rojo)	Chorro concentrado para romper el barro o la suciedad incrustados. Úselo con precaución. (no incluido)
Boquilla 15° (Amarillo)	Patrón de rociado estrecho que es agresivo y se usa mejor en superficies duras para eliminar la suciedad difícil.
Boquilla 25° (Verde)	Patrón de pulverización de uso general. Ligeramente más ancho, pero aún bastante agresivo.
Boquilla 40° (Blanco)	Patrón de rociado más amplio para áreas grandes o superficies más suaves.
Boquilla de jabón negro	Boquilla de baja presión. Esta es la única boquilla que se puede utilizar con el sistema de inyección de productos químicos.

1. Antes de operar la lavadora a presión, asegúrese de estar familiarizado con todas las advertencias y recomendaciones de seguridad.
2. Use ropa adecuada y protección para los ojos.
3. Siempre configure la máquina donde:
 - 3.1 Está en una superficie nivelada. Si la máquina no está nivelada, es posible que no arranque o cause fallas.
 - 3.2 Hay suficiente ventilación.
 - 3.3 No hay signos de fugas de aceite o gas, incluidos los vapores de gas.
 - 3.4 La máquina no está expuesta a la lluvia, la nieve o temperaturas bajo cero. Estas duras condiciones pueden provocar la falla de los componentes y causar daños o lesiones.
4. Asegúrese de que los niveles de aceite del motor y la bomba sean correctos.
 - 4.1 Use aceite 10W30 para llenar el motor si es necesario.
5. Inspeccione el estado general de la unidad. Asegúrese de que no haya fugas de combustible o aceite o piezas dañadas. Si se detectan fugas o piezas dañadas, NO encienda la lavadora a presión hasta que esté reparada.
6. Conecte la manguera de alta presión a la bomba y el conjunto de la varilla de la pistola al otro extremo de la manguera.
7. Conecte la manguera de jardín a la bomba.
 - 7.1 Asegúrese de que el filtro de entrada de la bomba esté presente, intacto y limpio antes de conectar la manguera de jardín.

EL SUMINISTRO DE AGUA DEBE SER SUFICIENTE PARA ABASTECER LA BOMBA DE MANERA ADECUADA.

Cada lavadora a presión tiene una clasificación de galones por minuto (GPM) / litros por minuto (LPM) que debe cumplirse. Si la bomba no recibe suficiente agua, cavitara (morirá de hambre por agua). Esto causará daños internos y fallas pendientes.

Para medir su fuente de agua GPM / LPM, necesitará un recipiente que sepa el tamaño exacto, como un balde de 5 galones / 20 litros. Cuando esté listo, comience a llenarlo desde su fuente de agua mientras lo cronometra durante un minuto. La cantidad de agua en el balde de 5 galones / 20 litros después de un minuto es la clasificación GPM / LPM.

Para esta lavadora a presión, los GPM de la fuente de agua deben exceder la clasificación de 2,4 GPM de la máquina en un GPM a 3,4 GPM para tener en cuenta cualquier fluctuación de la fuente de agua.

CEBE LA BOMBA CON AGUA

Una vez que todas las mangueras estén conectadas, abra el suministro de agua y mantenga presionado el gatillo de la pistola rociadora. Deje que el agua fluya a través de él hasta que todas las burbujas de aire hayan pasado y haya un chorro constante de agua saliendo por la boquilla.

Inserte la boquilla de pulverización de color que planea usar. Asegúrese de que la boquilla esté limpia sin daños ni obstrucciones.

PROCEDIMIENTO DE INICIO

1. Llene el tanque de combustible con gasolina. Use gasolina normal sin plomo, de 86 octanos o más, que no tenga más del 10 % de mezcla de etanol.
2. No sobrellene el tanque de combustible. Siempre deje un espacio para permitir que el tanque respire y que el combustible se expanda.
3. Ajuste a máxima potencia. La palanca estará completamente hacia la **IZQUIERDA**.
4. Gire la válvula de combustible a la posición **ON**, que está completamente hacia la **DERECHA**.
5. Active el estrangulador si el motor está frío. Mueva la palanca del estrangulador hacia la **IZQUIERDA**.



6. Ponga el interruptor del motor en la posición **ON**.



7. Con una mano, apriete el gatillo de la pistola rociadora para que el agua fluya. Apoye la lavadora a presión con su pie. Con la otra mano, sujete el mango de retroceso y tire de él lentamente hasta que sienta resistencia. Tire enérgicamente del retroceso. Puede que tenga que tirar de él varias veces antes de que empiece a funcionar.
8. Una vez que el motor se haya calentado, desenganche el estrangulador moviendo la palanca del estrangulador completamente hacia la **DERECHA**. Si se detiene, entonces necesita calentarse antes de que se apague el estrangulador. Reinicie el motor, deje que se caliente y luego intente apagar el estrangulador nuevamente.

Nota importante: La lavadora a presión ha sido diseñada para funcionar a máxima velocidad. Si baja el acelerador, la relación carga-potencia entre el motor y la bomba será incorrecta. Esto causará una tensión indebida en el sistema durante el lavado a presión, lo que hará que las piezas se desgasten más rápido.

En funcionamiento normal, para detener el motor:

1. Acelerar el motor.
2. Mientras sostiene el gatillo de la pistola pulverizadora, apague el motor.
3. Gire la válvula de combustible a la posición OFF

Parada de emergencia: Ponga el motor en la posición de APAGADO inmediatamente. Esto detendrá el motor de inmediato, pero puede atrapar presión en el sistema, lo que puede impedir que se reinicie o la capacidad de quitar la manguera o la pistola rociadora.

1. Apague la fuente de agua y apriete el gatillo nuevamente para liberar la presión y el agua antes de desconectar las mangueras.
2. Drene el agua de las mangueras antes de almacenarlas.

**TÉCNICAS GENERALES DE OPERACIÓN DE LA LAVADORA A PRESIÓN**

1. Siga siempre las prácticas de seguridad descritas.
2. Siempre comience a rociar a una distancia segura de la superficie prevista y acérquese hasta que pueda observar el efecto de limpieza deseado.
3. Generalmente, no utilice un ángulo de pulverización de 90 °. En cambio, generalmente es más efectivo usar un ángulo menos profundo para que el aerosol reflectante pueda dirigirse en una dirección segura y controlada.
4. Manteniendo presionado el gatillo, mueva la varilla de lado a lado para limpiar la superficie. Una vez que tenga una idea de cómo se comporta la función de limpieza, encontrará naturalmente su ritmo.
5. Esté siempre atento a lo que está pulverizando y tenga más cuidado en superficies frágiles como madera o vidrio para evitar daños.
6. Recuerde siempre apretar el gatillo una vez cada 30 segundos para lavar la bomba con agua fría y evitar el sobrecalentamiento.
7. Si tiene que dejar de lavar durante más de unos minutos, debe apagar la máquina.

CÓMO CONTROLAR LA PRESIÓN

- La hidrolimpiadora está preajustada de fábrica para ofrecer el rendimiento óptimo para su configuración.
- No ajuste el descargador.
- El ajuste del descargador puede provocar fallas, incluido un rendimiento deficiente, el motor atascado y la rotura de las partes internas de la bomba y el descargador.
- El método principal para controlar la presión es la distancia entre la boquilla y la superficie. Empiece siempre lejos y acérquese lentamente a la superficie.
- El ángulo de pulverización a la superficie también influirá en la presión. Por ejemplo, llegar a la superficie en un ángulo de 90 ° tendrá más fuerza de impacto que un ángulo poco profundo.
- La presión también se puede controlar mediante el tipo de boquilla que se coloca en la punta. Cuanto más ancho sea el rocío, menos presión afectará directamente a la superficie.
- La presión también se puede reducir utilizando boquillas con un tamaño de orificio más grande.
- Tenga cuidado al limpiar cualquier superficie blanda como madera o cualquier cosa que pueda agrietarse o romperse, como vidrio o pintura.

LIMPIEZA CON DETERGENTES

1. La boquilla de jabón negro debe instalarse en el tubo de la pistola rociadora. Es la única boquilla que extraerá jabón a través del sistema de lavado a presión.
2. El detergente que se utilice debe tener una viscosidad fina (similar al agua).
3. Prepare el detergente en un recipiente junto a la lavadora a presión.
4. Conecte el tubo de succión de detergente transparente a la lengüeta de latón de la bomba de la lavadora a presión y coloque el extremo con el filtro en el recipiente de detergente.
5. Encienda la lavadora a presión y rocíe el agua. Podrá ver el detergente moviéndose a través del tubo de succión. Una vez que el detergente salga por la boquilla, hará que aparezca espuma.
6. Cuando use detergente, rocíe el área deseada y déle un tiempo para que el jabón descomponga químicamente la suciedad. Luego, lávelo con agua antes de que se seque.
7. Cuando haya terminado de usar el detergente, debe enjuagar el sistema del inyector de productos químicos para evitar que se acumulen residuos de detergente. Para enjuagar, sumerja el tubo de succión de detergente en un recipiente con agua limpia y rocíe durante al menos dos minutos mientras extrae el agua limpia a través del sistema de jabón.

El almacenamiento inadecuado de la hidrolimpiadora provocará fallas que no están cubiertas por la garantía.

⚠ AGUA - ADVERTENCIA DE CONGELACIÓN

Dejar agua en la bomba y los accesorios puede provocar daños si el agua se congela. El agua se expandirá cuando se convierta en hielo. La fuerza resultante causará rupturas y agrietará los accesorios, válvulas y sellos de latón, lo que requerirá reemplazos completos (no cubiertos por la garantía).

1. Cuando la unidad no esté en uso, drene todas las mangueras y el conjunto de la pistola rociadora.
2. Si la unidad va a ser almacenada por un período prolongado, o si existe alguna posibilidad de que la lavadora a presión quede expuesta a temperaturas bajo cero, entonces se debe hacer circular el anticongelante de plomería / RV a través de los conductos de agua de las bombas.
3. Recomendamos utilizar el anticongelante BE Power Equipment Pump Saver. Tiene una tapa especialmente diseñada para enroscar directamente en la conexión de la manguera de jardín de la bomba. (Número de pieza 85.490.046, póngase en contacto con su distribuidor local).
4. Para aplicar, primero asegúrese de que el motor y la válvula de combustible estén en la posición de APAGADO.
5. Enrosque la botella en la conexión de la manguera de jardín de la bomba y abra la válvula en la tapa. Tire del retroceso para hacer circular la solución anticongelante a través de la bomba. Se recomienda apretar la botella para forzar el anticongelante en la bomba si es necesario. Continúe hasta que salga del racor de la manguera de alta presión. En este punto, el anticongelante protege todas las cámaras de agua internas de la bomba.
6. La mejor defensa contra la congelación es almacenar la lavadora a presión en un lugar cálido que no esté expuesto a temperaturas bajo cero.

⚠ ADVERTENCIA DEL SISTEMA DE COMBUSTIBLE DEL MOTOR DE GASOLINA

La gasolina se degrada con el tiempo y dejará residuos sólidos si se seca en su sistema de combustible. Esto obstruirá el sistema de combustible y provocará una falla en el arranque de la máquina (no cubierto por la garantía).

1. El combustible se degrada más rápido cuanto más se expone al aire y mayor es el porcentaje de mezcla de etanol.
2. Se recomienda encarecidamente el estabilizador de combustible para ralentizar el proceso de degradación del combustible. La mejor práctica es mezclar el estabilizador de combustible en el contenedor de almacenamiento de combustible.
3. Si la unidad no se utilizará dentro de los 30 días, drene todo el combustible del tanque y el carburador.
 - 3.1 Use estabilizador de combustible en el tanque para mezclarlo con el combustible.
 - 3.2 Para drenar el combustible, tenga listo un recipiente para recoger el combustible.
 - 3.3 Utilice una llave para aflojar el perno inferior del carburador y deje que todo el combustible se vierta en el recipiente. Una vez que se detenga, apriete el perno. El estabilizador de combustible que se colocó anteriormente en el tanque ayudará a evitar que cualquier combustible residual se seque y se convierta en un residuo duro.
 - 3.4 Abra la válvula de combustible del motor.
 - 3.5 Para evitar el desperdicio de combustible, puede utilizar el combustible drenado en cualquier vehículo que utilice el mismo tipo de combustible.
 - 3.6 Al almacenar gasolina, utilice siempre un bidón hermético y un estabilizador de combustible para obtener los mejores resultados. La mejor práctica es almacenar el combustible durante no más de un año antes de usarlo.

En general, cubra la lavadora a presión y guárdela en un lugar limpio y seco. Limpia la suciedad o el agua.

MANTENIMIENTO

MOTOR DE GASOLINA

Consulte el manual del motor que vino con su hidrolimpiadora para obtener más detalles. Verifique de forma rutinaria:

1. Nivel y estado del aceite
2. Filtro de aire
3. Bujía
4. Esté atento a las fugas

PROGRAMA DE MANTENIMIENTO DEL MOTOR		
Aceite de motor	Chequear	Cada uso
	Reemplazar	Después de las primeras 20 horas de funcionamiento. Después de cada 100 horas allí después. La inspección muestra que el aceite está sucio.
Filtro de aire	Chequear	Cada uso
	Reemplazar	Cuando está sucio o dañado.
Líneas de combustible	Chequear	Cada uso
	Reemplazar	Cuando está dañado / gotea combustible.
Filtro de tapa de combustible	Chequear	Cada uso
	Reemplazar	Cuando no se puede limpiar o si está dañado.
Supresor de chispas (si corresponde)	Chequear	cada 25 horas
	Reemplazar	Cuando no se puede limpiar o si está dañado.
Bujía	Chequear	Cada 100 horas
	Reemplazar	Cuando no se puede limpiar o ajustar
Holgura de la válvula	Chequear	Cada 300 horas. *
RPM inactivo	Chequear	Cada 300 horas. *
*Realice el mantenimiento en un centro de servicio autorizado.		

MANTENIMIENTO DE LA BOMBA

Esta hidrolimpiadora viene con una bomba sellada. No necesitará comprobar ni sustituir el aceite.

MANTENIMIENTO DE LA BOMBA

1. Aplicable para bombas que tienen mirillas y varillas indicadoras donde se puede inspeccionar y cambiar el aceite.
2. No se aplica a bombas selladas que no requieren mantenimiento. Estas bombas se identifican por no tener forma de verificar o cambiar el aceite. (Sin mirillas ni varillas reactivas).

Accesorios: Inspeccione si hay fugas y daños. Sustituya las piezas si es necesario.

SOLUCIÓN DE PROBLEMAS DEL MOTOR DE GAS		
PROBLEMA	CAUSA	SOLUCIÓN
El motor gira, pero no arranca (el retroceso se puede tirar normalmente)	Sin combustible.	Llenar con combustible regular sin plomo nuevo
	El combustible está rancio o contaminado.	Retire el combustible viejo, reemplácelo con combustible nuevo. Puede ser necesario limpiar el sistema de combustible.
	Aceite bajo.	Llene con aceite de motor 10W30.
	El motor está apagado.	Gire el interruptor a la posición ON.
	Ajuste de RPM bajo	Gire el acelerador a RPM máximo (Conejo).
	Estrangulador no activado.	Encienda el estrangulador.
	Válvula de combustible apagada.	Abra la válvula de combustible.
	Filtro de aire muy sucio.	Limpiar o reemplazar.
	El tanque de combustible está demasiado lleno y no puede respirar.	Drene un poco de combustible para que respire.
	Aceite en carburador.	Retire el perno de la parte inferior del carburador y lávelo con combustible.
	Descargador ajustado demasiado apretado.	Retroceda el descargador.
Gasolina en el cárter del motor.	El carburador está enchufado. Necesita limpiar carburador y motor.	
Incapaz de tirar de Recoil (el retroceso se siente agarrotado)	Presión atrapada en la bomba.	Apriete el gatillo de la pistola para liberar la presión.
	Aceite en filtro de aire.	Retire y reemplace el filtro de aire. Limpiar el exceso de aceite.
	Aceite en el cilindro de la bujía.	Retire y limpie la bujía. Limpiar el aceite del cilindro.
	Descargador ajustado demasiado apretado.	Retroceda el descargador.
El motor funciona y luego se detiene	Sin combustible.	Llene con combustible regular sin plomo.
	Aceite bajo.	Llene con aceite de motor 10W30.
	Descargador ajustado demasiado apretado.	Retroceda el descargador.
	La tapa de combustible o el tubo de ventilación no respiran (cuando corresponda).	Afloje la tapa de combustible y, si la máquina funciona, limpie o reemplace la tapa / válvula de combustible.

SOLUCIÓN DE PROBLEMAS

El motor funciona y luego se detiene	El combustible está rancio o contaminado.	Retire el combustible viejo, reemplácelo con combustible nuevo. Puede ser necesario limpiar las válvulas de combustible, el carburador o los filtros.
	Fugas de combustible.	Inspeccione si hay fugas y repárelas.
Correr bruscamente / sonido extraño	El estrangulador todavía está activado.	Apague el estrangulador.
	El motor no está a toda velocidad.	Ponga el motor en aceleración máxima (conejo).
	Filtro de aire sucio.	Revise el filtro de aire, reemplácelo si es necesario.
	Escape obstruido o supresor de chispas.	Limpier o reemplazar según sea necesario.

SOLUCIÓN DE PROBLEMAS DE LA BOMBA

No pasa agua por la bomba (sin manguera / pistola adjunta)	No hay fuente de agua adjunta.	Conecte la manguera de jardín a la bomba.
	La fuente de agua está bloqueada.	Confirme que el agua fluya a través de la manguera sin obstrucciones.
	Filtro de entrada obstruido.	Limpier o reemplazar el filtro de entrada.
Baja presión de agua	Presión de entrada de agua baja.	Asegúrese de que el flujo de GPM / LPM de entrada sea suficiente para la lavadora a presión.
	Flujo de agua parcialmente bloqueado.	Asegúrese de que el agua fluya a través de todas las mangueras y accesorios.
Baja presión de agua	Problema con la boquilla de la pistola.	Asegúrese de que la boquilla esté limpia y del tamaño adecuado.
	Fallo del arma.	La pistola tiene fugas o está bloqueada, es posible que deba reemplazarla.
	Fugas de agua en el sistema.	Localice la fuga de agua y repare o reemplace.
	Descargador no ajustado correctamente.	Apriete el descargador.
El agua no pasa a través de la pistola rociadora	Manguera de presión no conectada a la bomba.	Conéctese a la bomba.
	Obstrucción de la manguera.	Compruebe si hay agua a través de la manguera. Limpier o reemplazar.
	Fallo del arma.	Puede ser necesario reemplazar la pistola, especialmente si tiene fugas.
	Boquilla de pulverización obstruida.	Limpie o reemplace la boquilla rociadora.

Fluctuación de presión	Filtro de entrada parcialmente bloqueado.	Retire la manguera de jardín, asegúrese de que el filtro esté en su lugar y limpio.
	Fuente de agua inconsistente.	Asegúrese de que el flujo de galones por minuto sea suficiente para la lavadora a presión.
Fluctuación de presión	Válvula de retención obstruida.	Necesita limpiar o reemplazar válvulas. Recomendar centro de servicio de llamadas.
	Fallo del arma.	Disparador de flujo, inmovilizado intermitentemente. Puede ser necesario limpiar o reemplazar.
	Válvulas y / o sellos desgastados en la cabeza de la bomba.	Necesita reemplazar sellos. Recomendar centro de servicio de llamadas.
Fugas en la válvula térmica.	La unidad estaba sobrecalentada.	Necesita reemplazar la válvula térmica.
Agua en aceite. (el aceite de la bomba es de color lechoso)	Unidad sobrecalentada y con choque térmico.	Llame al centro de servicio, es posible que deba reemplazar la bomba.

SOLUCIÓN DE PROBLEMAS DEL SISTEMA DE DETERGENTE

No está rociando detergente	No se utiliza la boquilla de pulverización negra.	Solo la boquilla de pulverización negra funcionará con el sistema de detergente.
	Boquilla de pulverización negra obstruida o dañada.	Limpiar o reemplazar según sea necesario. El orificio no debe estar obstruido.
	El tubo de recogida de detergente no está en la solución.	Asegúrese de que el recipiente de detergente esté lleno y que el tubo de recogida esté profundamente sumergido.
	El tubo de recogida de detergente no está unido a la lengüeta de latón.	Asegúrese de que el tubo de recogida esté conectado a la lengüeta de latón del inyector (no a la lengüeta de plástico negra).
	Se ha extendido el tubo de recogida de detergente.	Si el tubo de recogida es demasiado largo, ya no funcionará. Utilice un tubo de recogida de longitud original.
	Detergente demasiado espeso.	Solución fina. La viscosidad debe ser similar al agua.
	El cojinete de bolas del inyector de detergente está atascado.	Retire con cuidado el inyector de latón. Limpie el cojinete de bolas, el resorte y el latón asegurándose de que las piezas se muevan libremente.

GARANTÍA



BE Power Equipment Inc. garantiza al comprador minorista original que esta lavadora a presión no tiene defectos de material ni de mano de obra durante los períodos que se establecen a continuación. Si se encuentran defectos en los productos BE Power Equipment dentro de las limitaciones descritas en esta declaración de garantía, BE Power Equipment, a su entera discreción, reparará o reemplazará el producto sin cargo.

La cobertura de la garantía comienza en la fecha de compra por parte del usuario final. Se debe presentar un comprobante de compra válido con el reclamo de garantía.

- | | |
|----------------------|-------------------------------|
| • Motores POWEREASE: | 2 Años / 5 Años registrándose |
| • Bombas Axial: | 1 Año |
| • Accesorios: | 90 Días |
| • Marco: | De por vida |

Esta garantía está limitada a defectos que ocurrieron durante el uso operativo regular. Esta garantía no cubre fallas debidas a falta de servicio, negligencia, abuso o mal uso. Incluyendo, entre otros, daños por congelación, alteraciones, deterioro químico, acumulación de incrustaciones, óxido, corrosión, choque térmico, expansión térmica, daños por transporte, cambios de aceite, ajustes de válvulas, mantenimiento del sistema de combustible o uso de piezas de reparación incorrectas. Además, el uso de combustible, agua o suministro de energía incorrectos se considera una forma de uso indebido.

Esta garantía tampoco cubre artículos de uso normal como juntas tóricas, válvulas, sellos, filtros, bujías o empaquetaduras. Estos se consideran elementos de mantenimiento.

BE Power Equipment renuncia expresamente a responsabilidad por lesiones a personas o propiedad o por daños incidentales, pérdida de alquiler, pérdida de tiempo, costos de transporte o daños consecuentes. Es responsabilidad del comprador garantizar la correcta instalación y aplicación del producto adquirido.

LA GARANTÍA AQUÍ CONTENIDA REEMPLAZA TODAS LAS DEMÁS GARANTÍAS, EXPRESAS O IMPLÍCITAS, INCLUYENDO CUALQUIER GARANTÍA IMPLÍCITA O APTITUD PARA UN PROPÓSITO PARTICULAR. BE Power Equipment no autoriza a ninguno de sus distribuidores, centros de servicio, agentes, empleados o cualquier otra parte a expandir, extender o modificar el alcance de esta garantía de ninguna manera en nombre de BE Power Equipment.

Para obtener la garantía, el reclamante debe llevar el producto, con su comprobante de compra original, a un centro de servicio autorizado de BE Power Equipment. Estos centros de servicio se encuentran en el sitio web: <https://www.bepowerequipment.com/service-centers>

Si no puede resolver satisfactoriamente el reclamo de garantía, comuníquese con el Departamento de Garantía de BE Power Equipment (1-866-850-6662). Esté preparado con detalles del defecto, prueba de compra, modelo y número de serie de la lavadora a presión.



BE POWER EQUIPMENT

NO DEVUELVA ESTE PRODUCTO A LA TIENDA

**SI NECESITA CUALQUIER ASISTENCIA TÉCNICA
CONTACTE CON NUESTRO SERVICIO DE ATENCIÓN
AL CLIENTE**

1-866-850-6662

(8:00am - 4:30pm PST, Mon - Fri)

BEPOWEREQUIPMENT

.COM